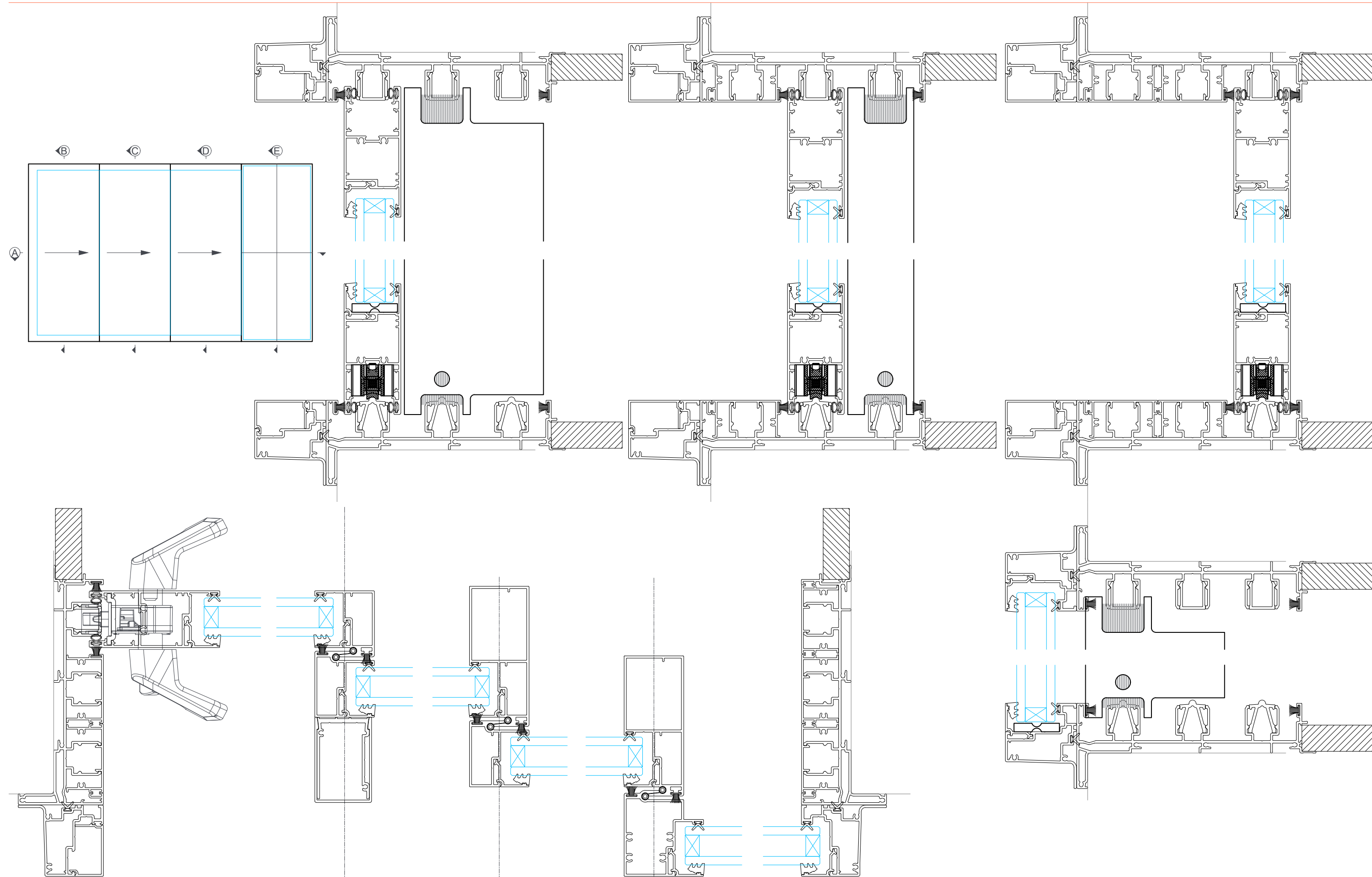


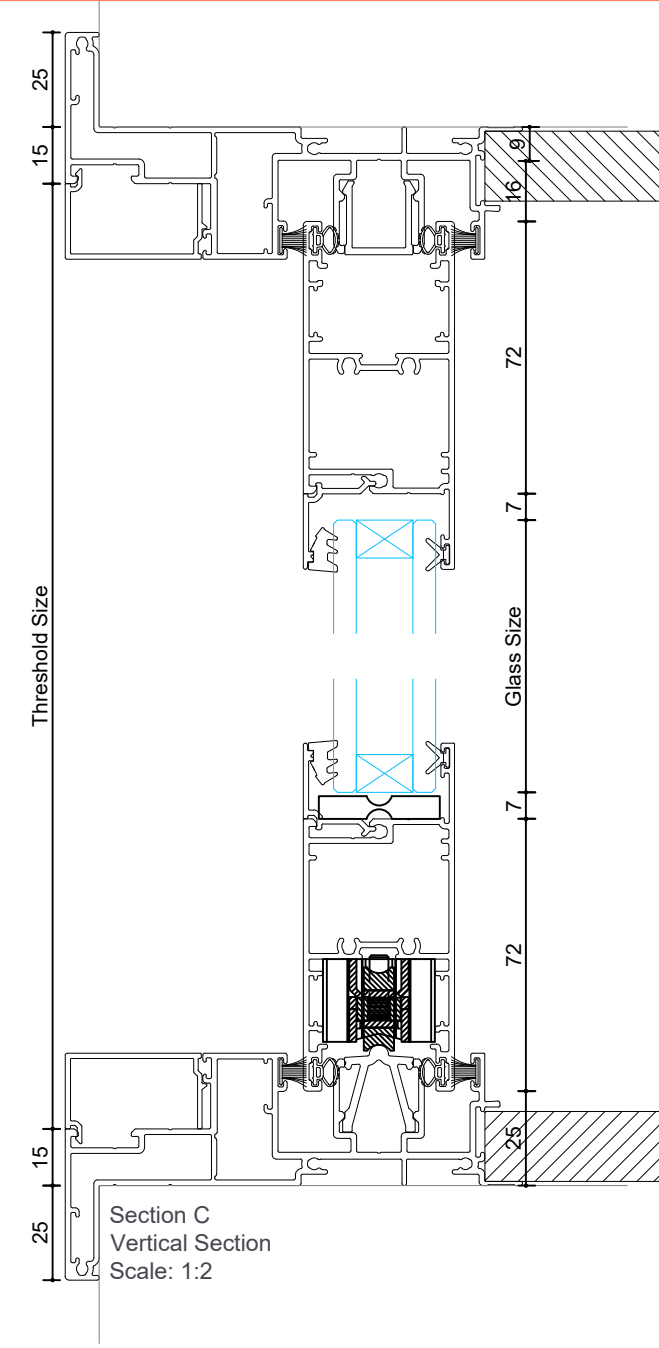
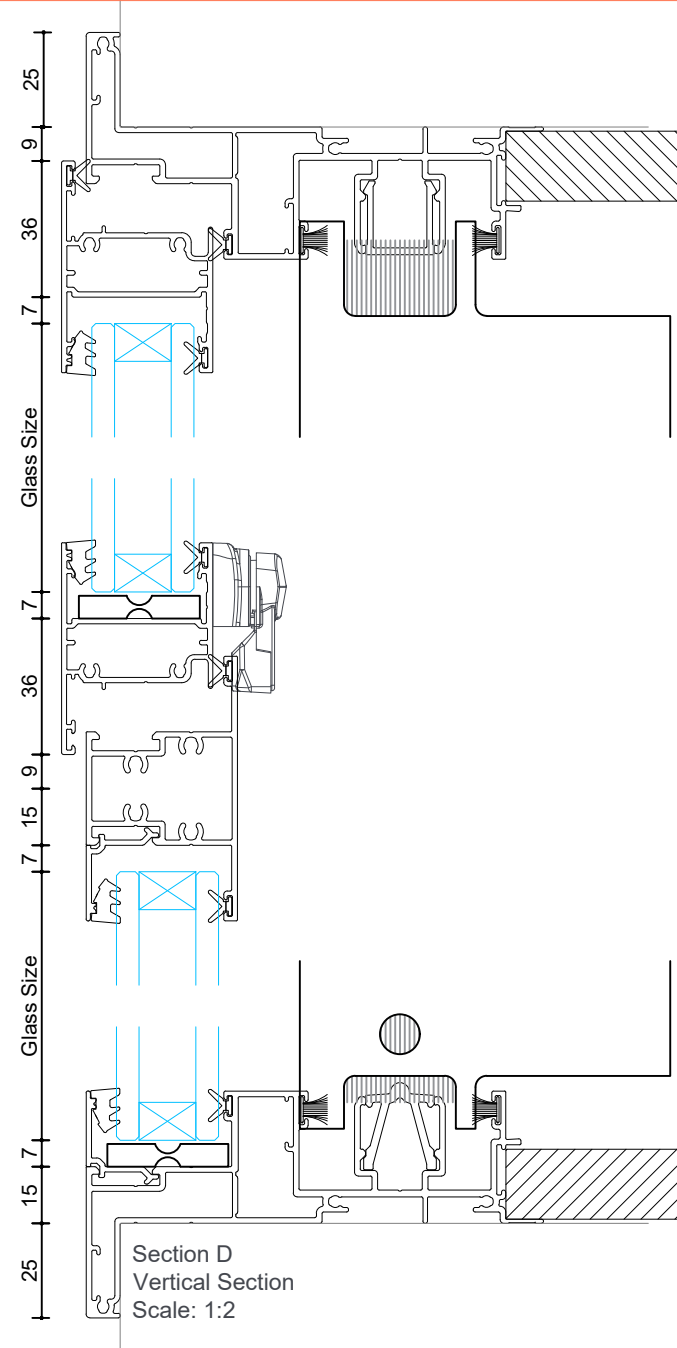
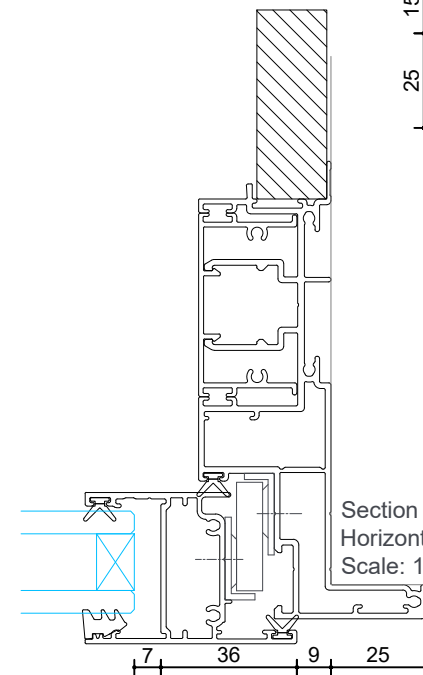
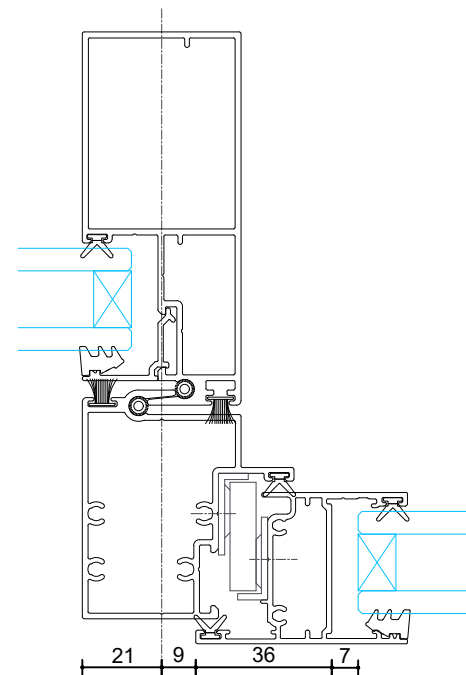
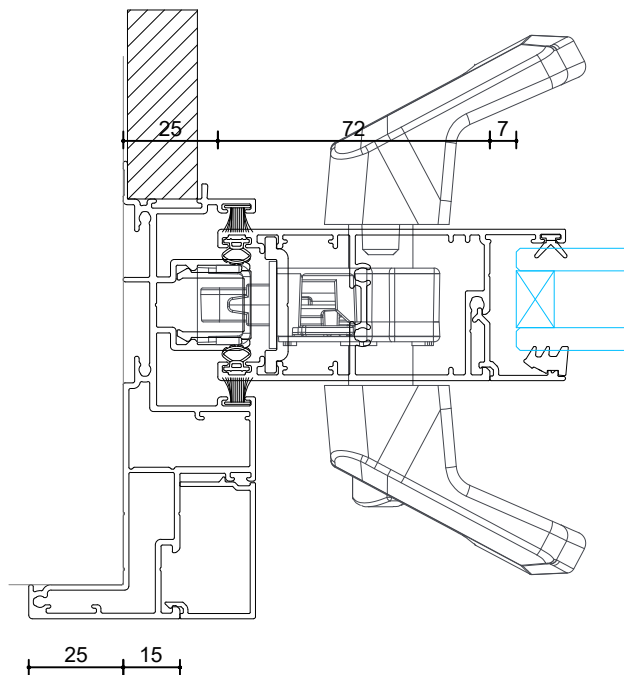
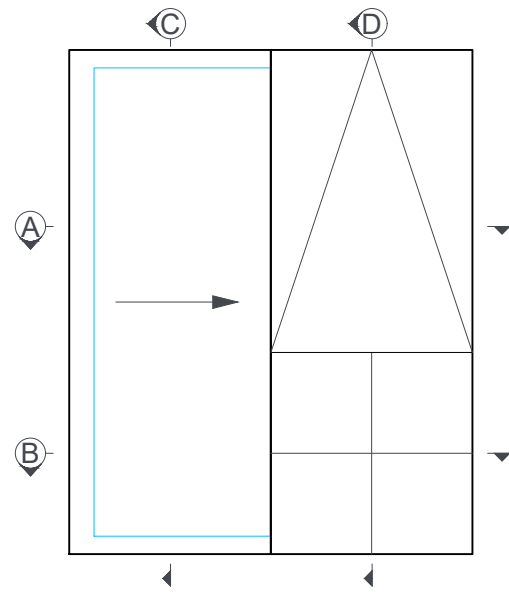
Cross Sections Non Thermal Suite Triple Stacker Door with Sidelight

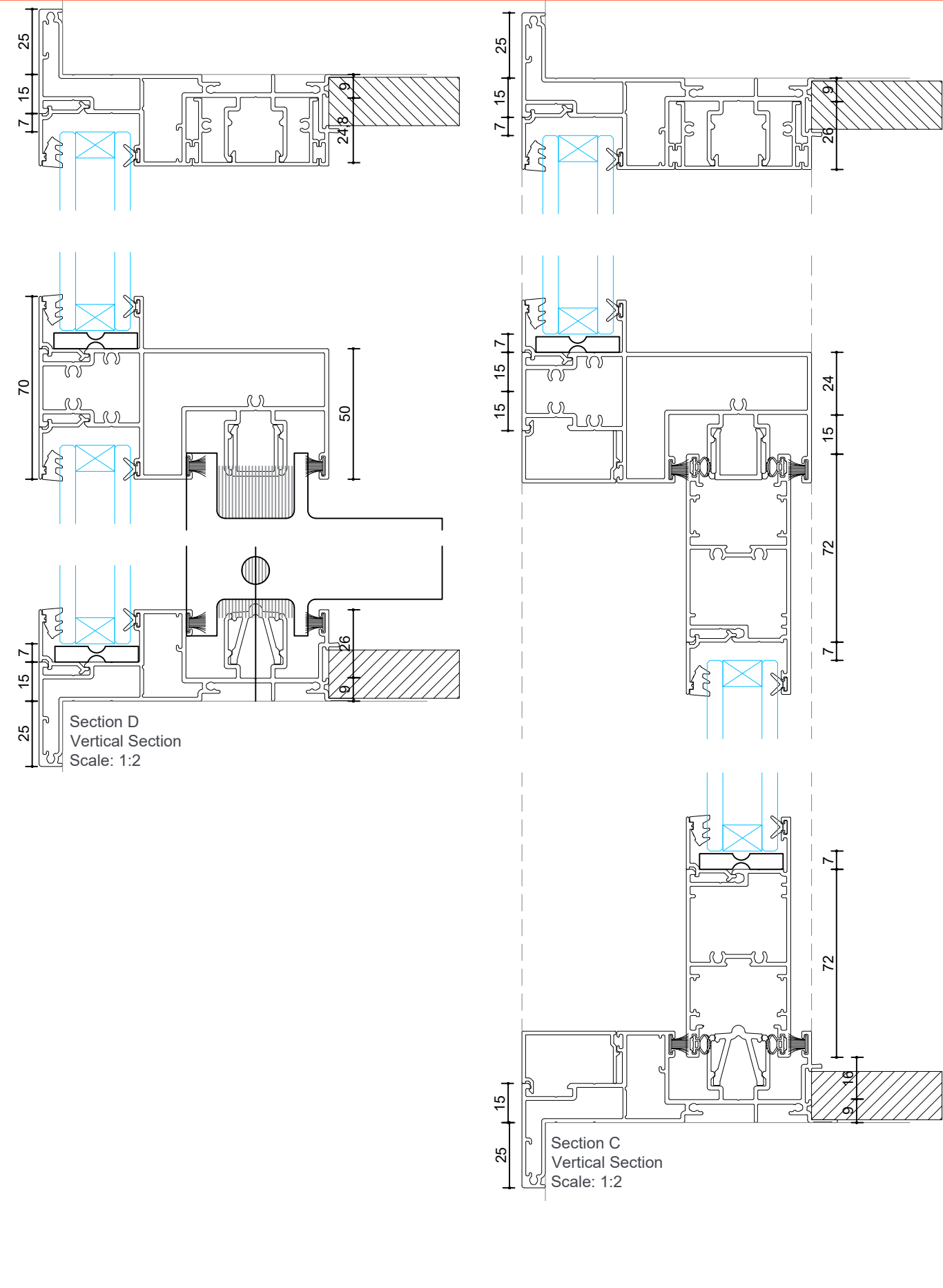
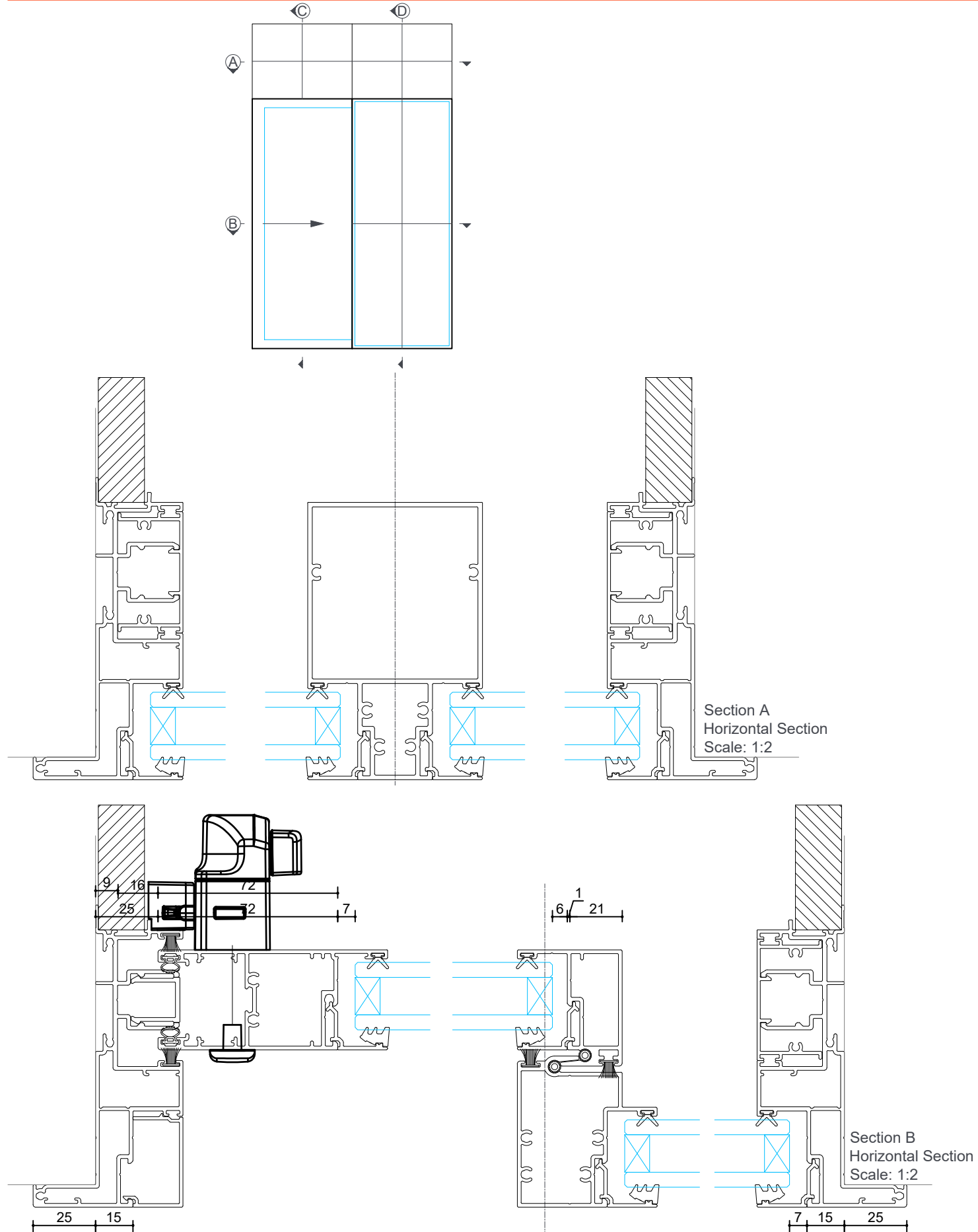
Date 02/08/2022
Scale 1:25

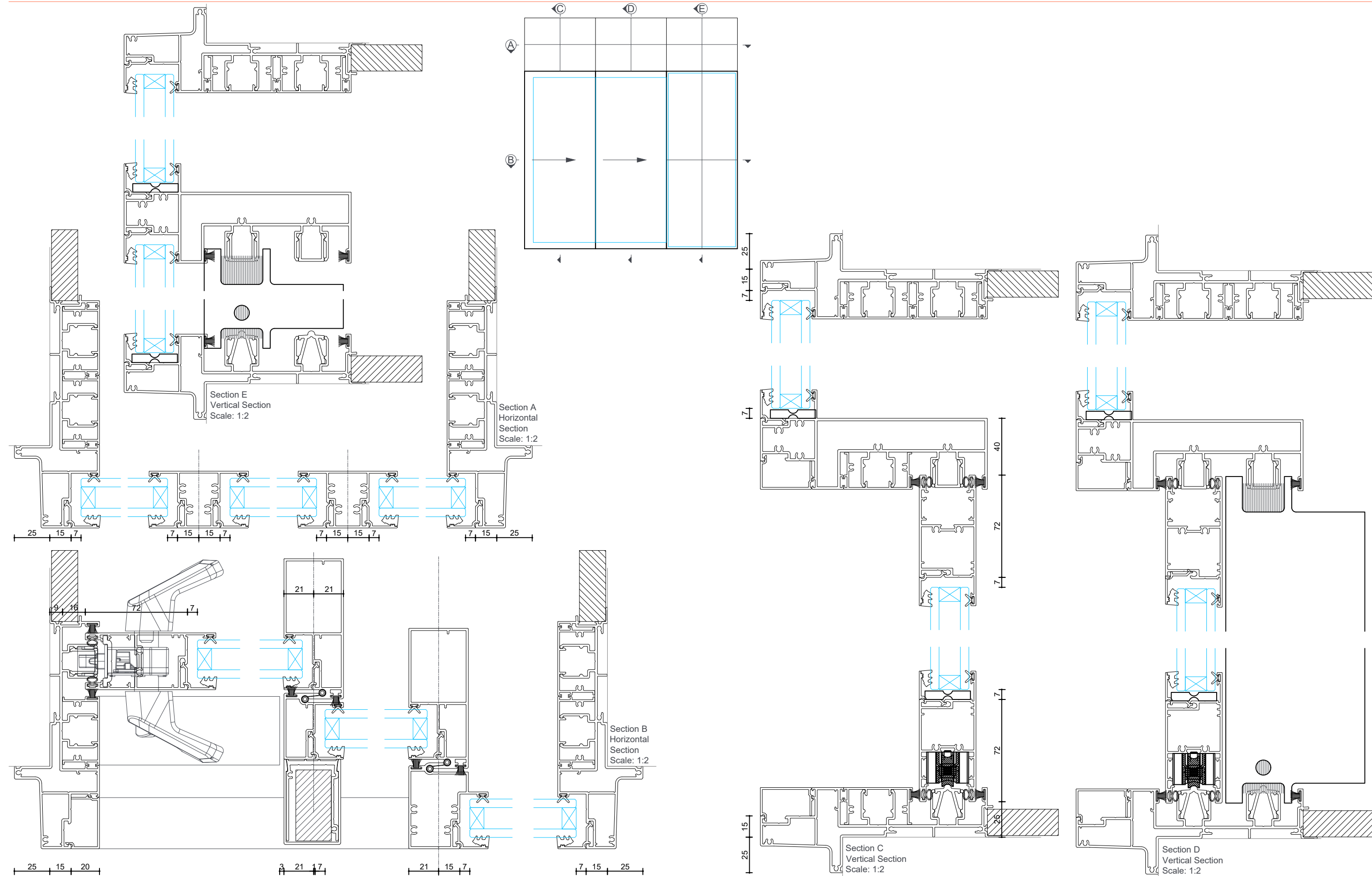
Drawn MS
Checked RT

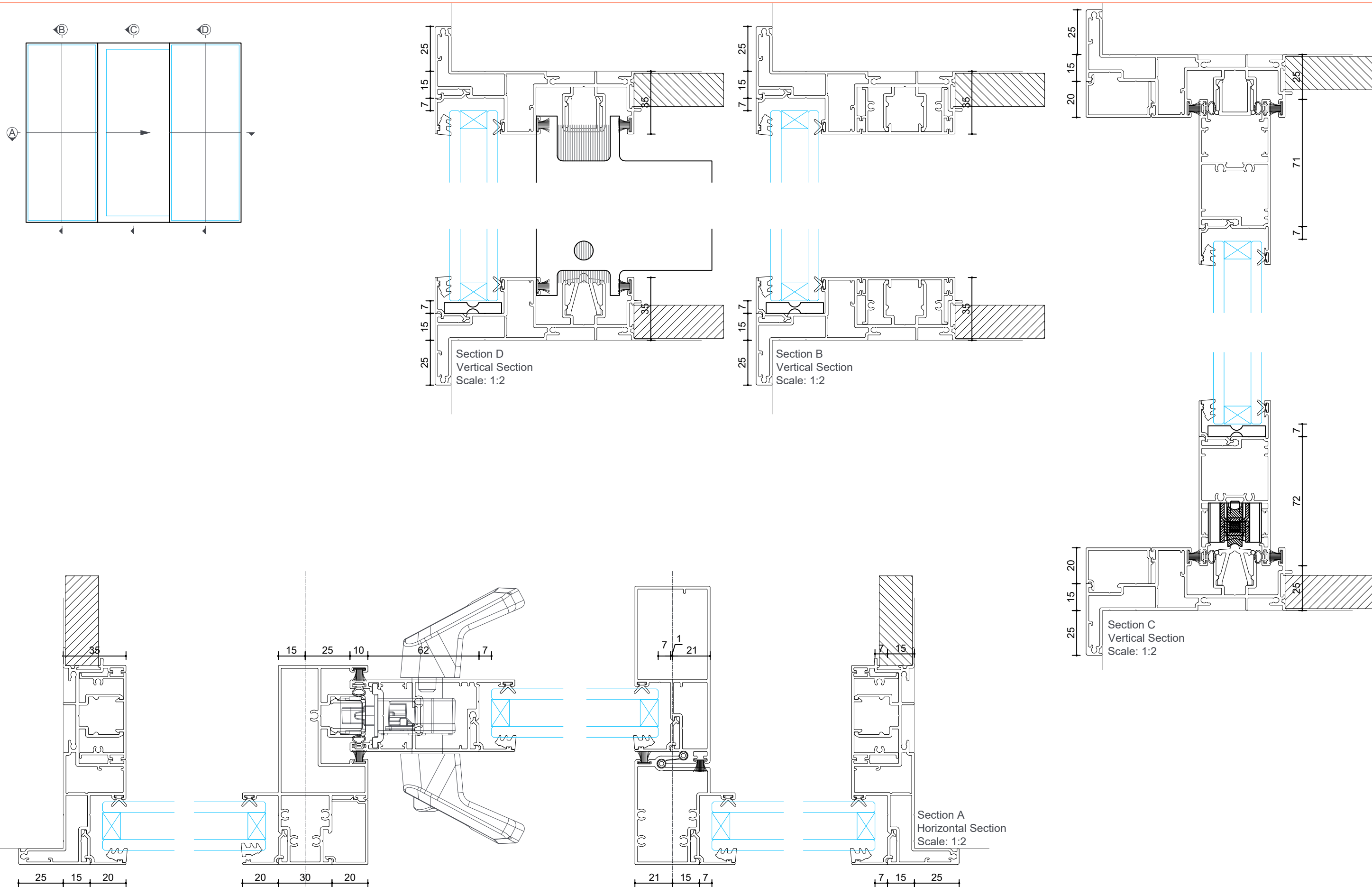
©UNO Windows & Doors Ltd, all rights reserved, must not be copied, nor the contents passed onto any third party without the consent of the company. Technical details are subject to change without notice.











Cross Sections
Non Thermal Suite
Sliding Door with AW at Sidelight

Date 02/08/2022
Scale 1:2

Drawn MS
Checked RT

©UNO Windows & Doors Ltd, all rights reserved, must not be copied, nor the contents passed onto any third party without the consent of the company. Technical details are subject to change without notice.

