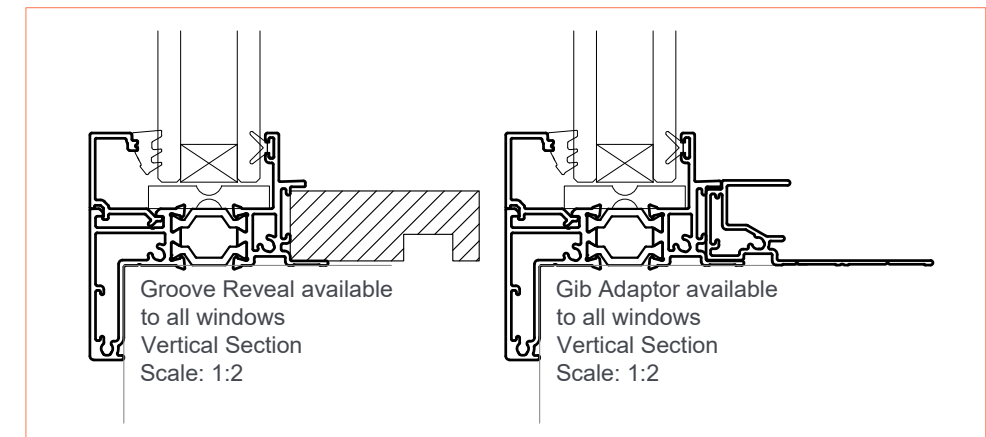
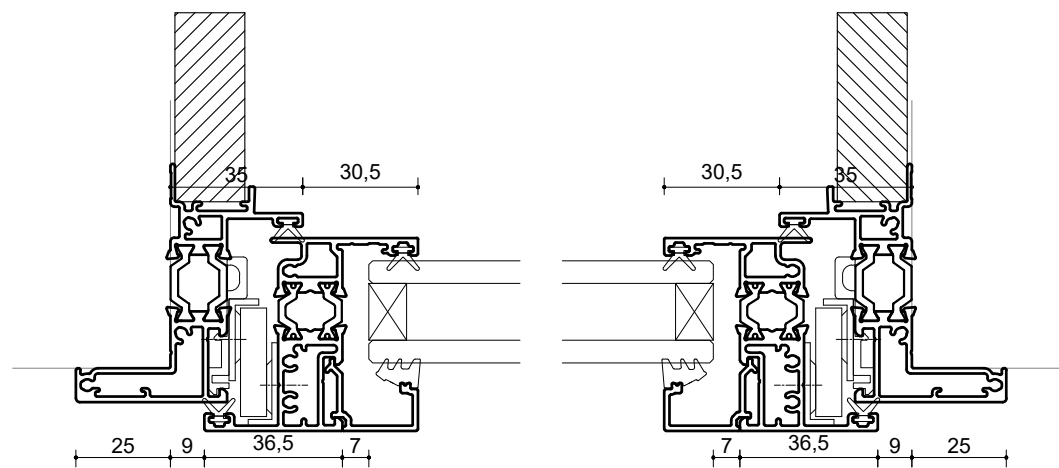
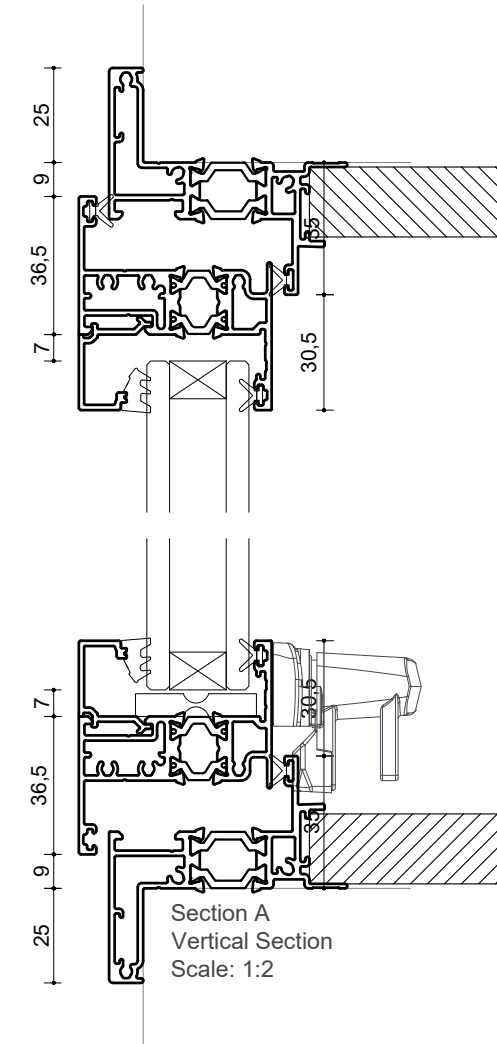
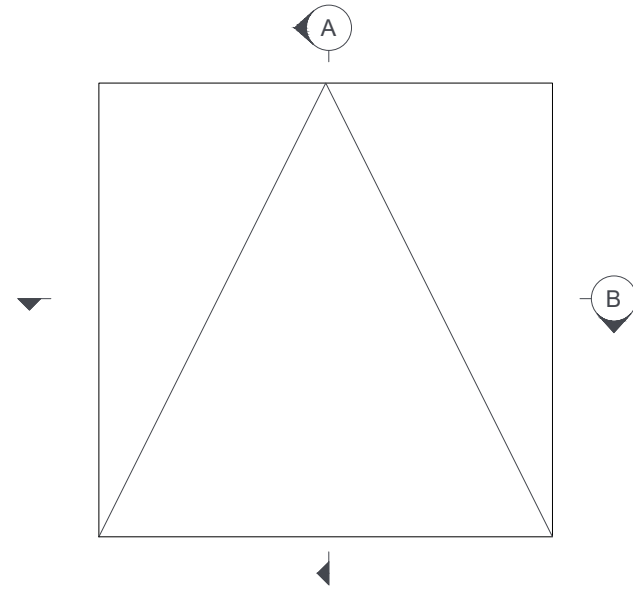
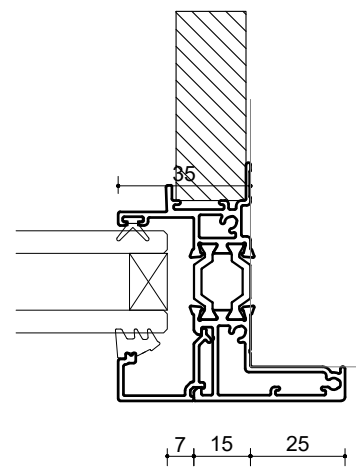
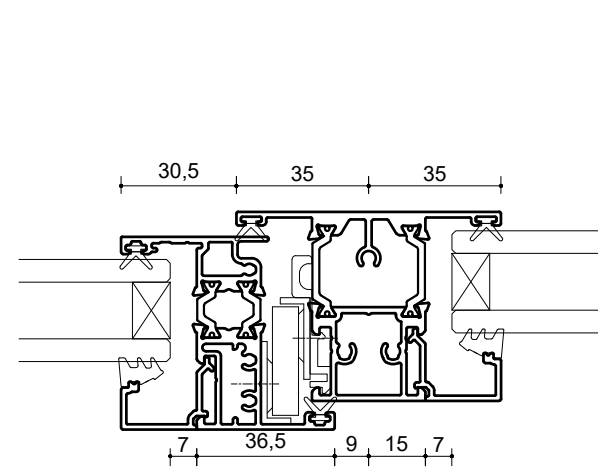
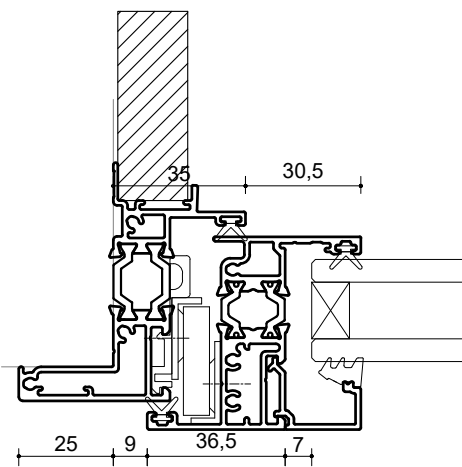
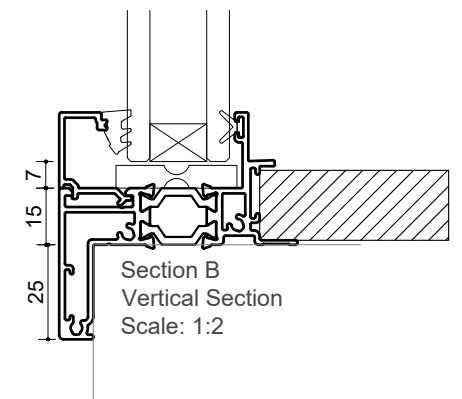
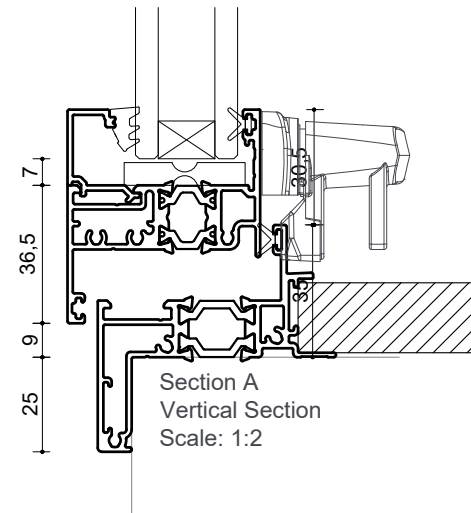
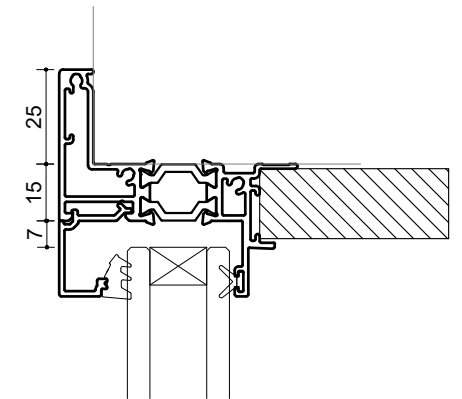
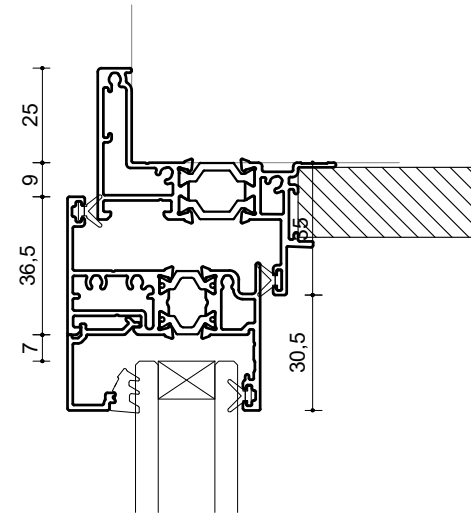
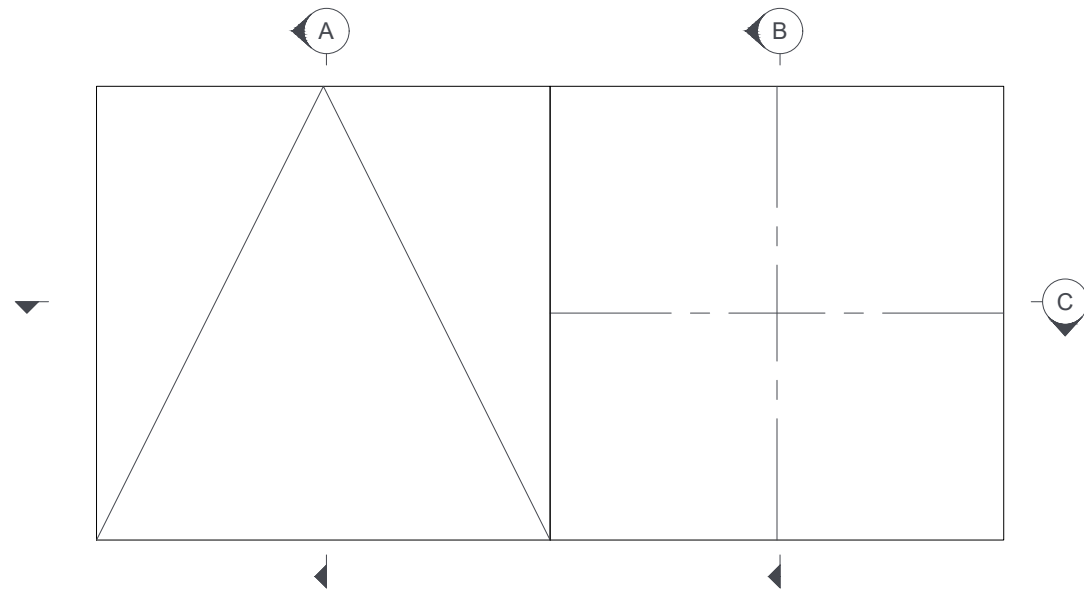


Section B
Horizontal Section
Scale: 1:2

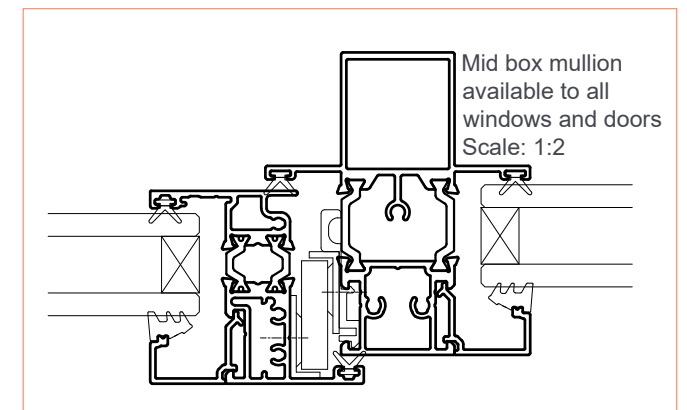


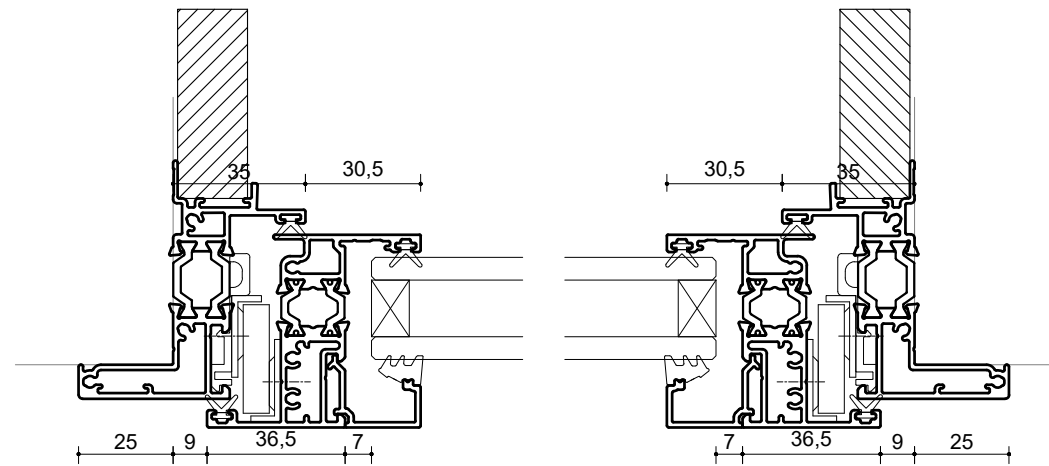
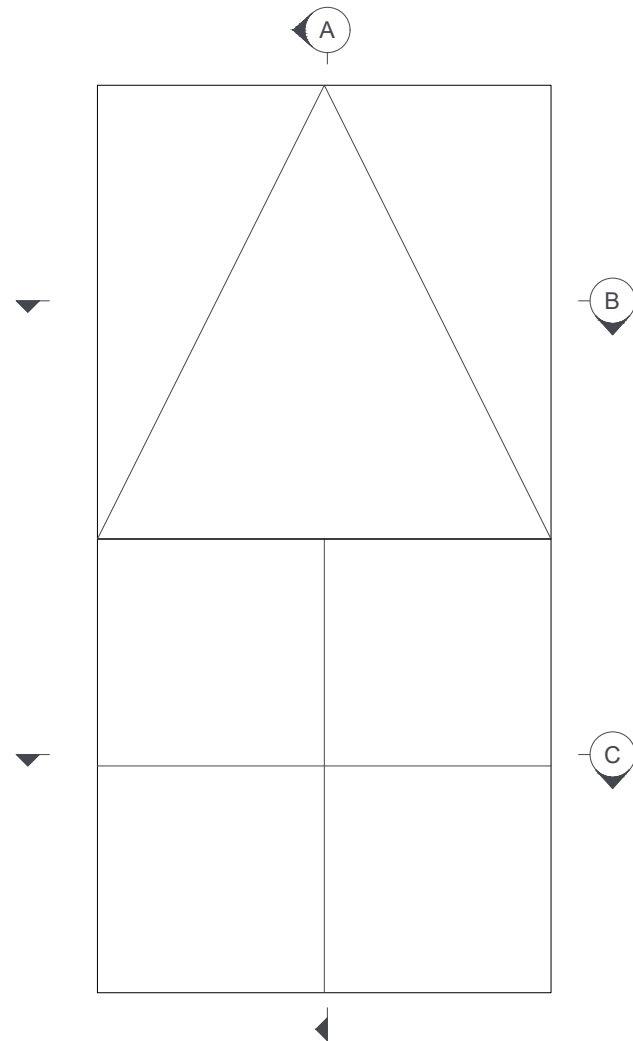


Section B
Horizontal Section
Scale: 1:2

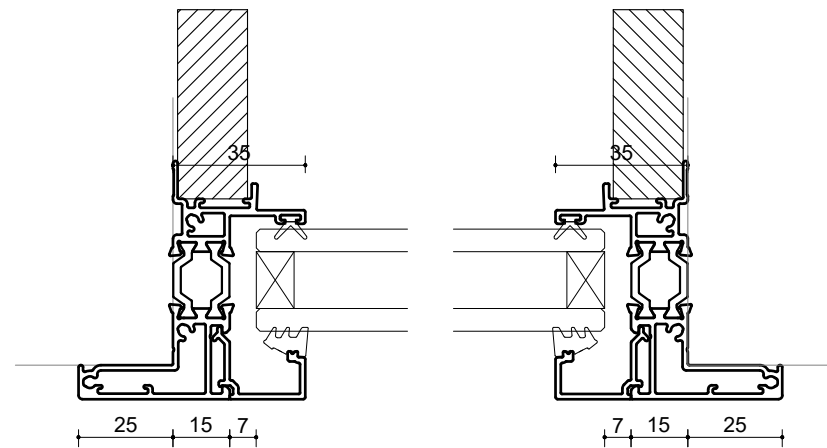


Section C
Horizontal Section
Scale: 1:2

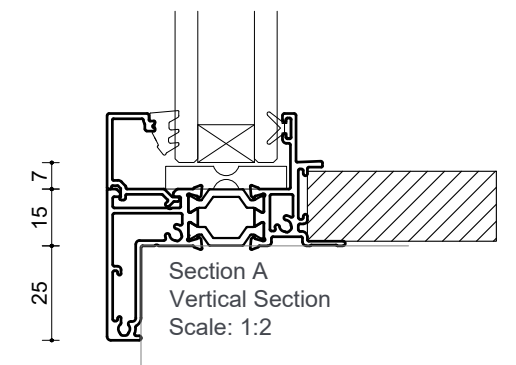
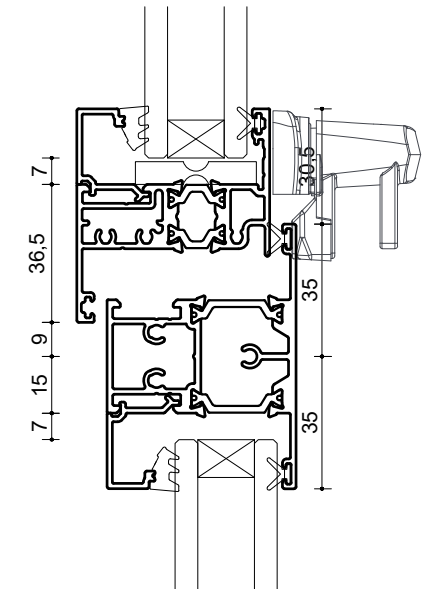
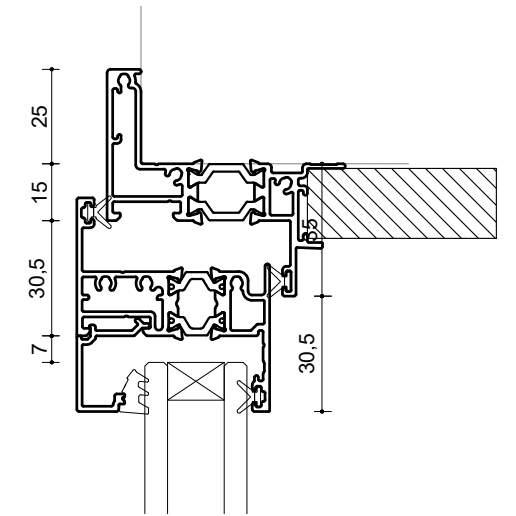




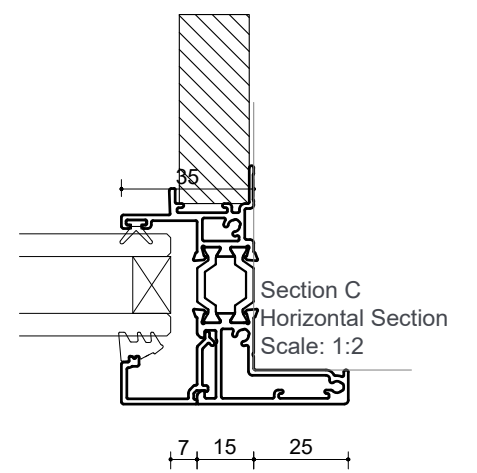
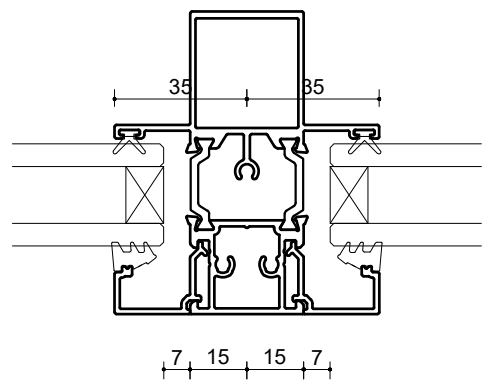
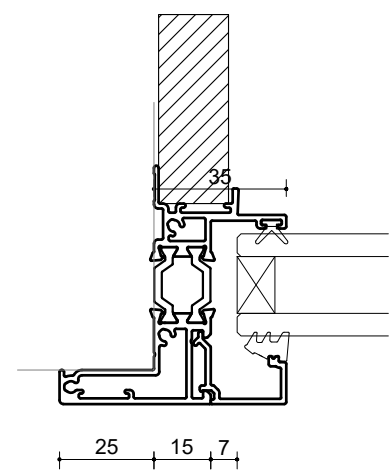
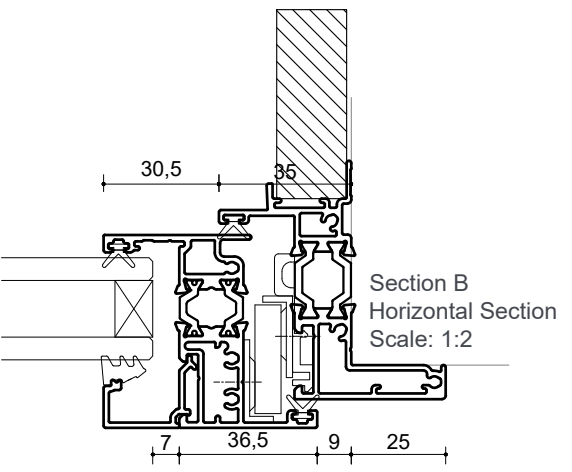
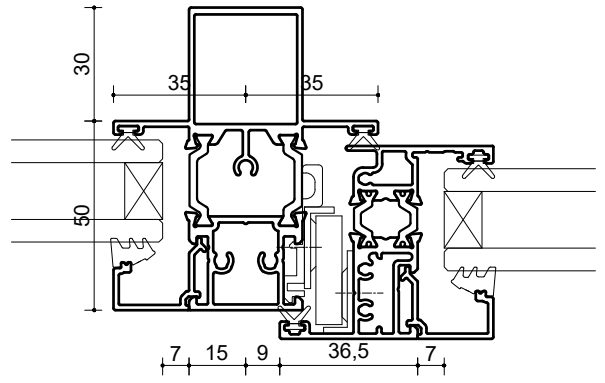
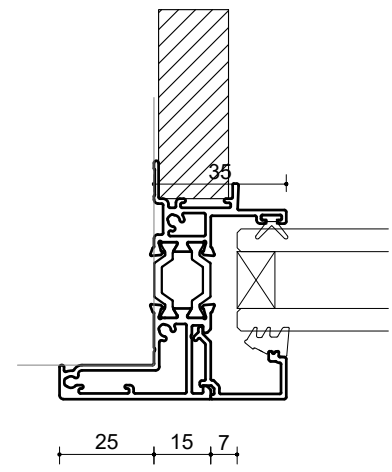
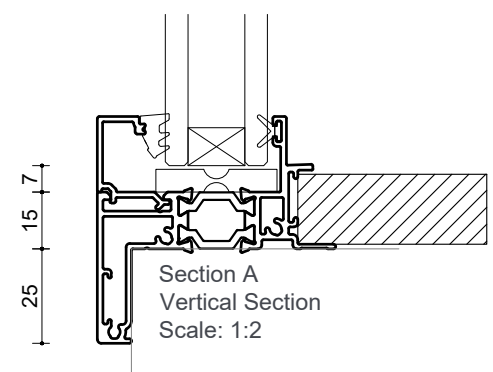
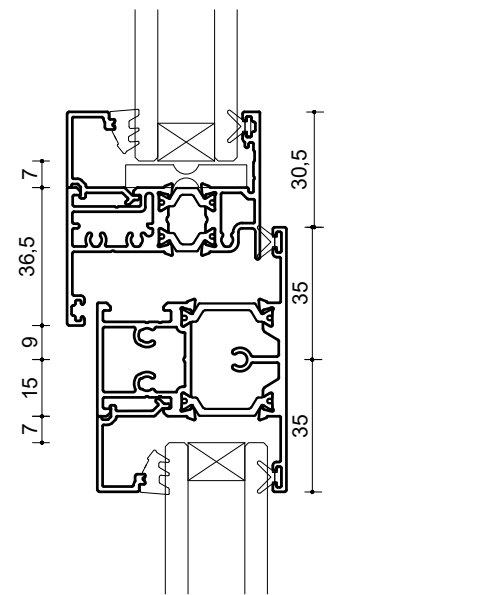
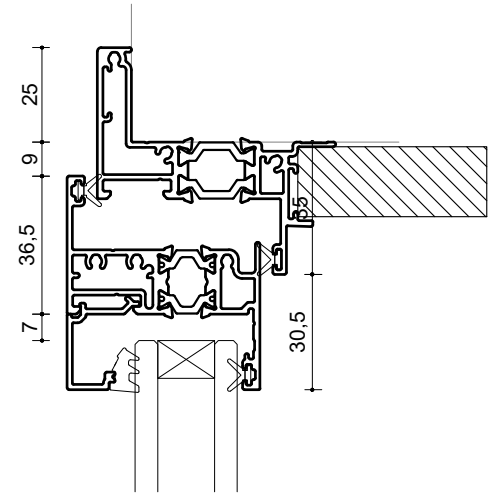
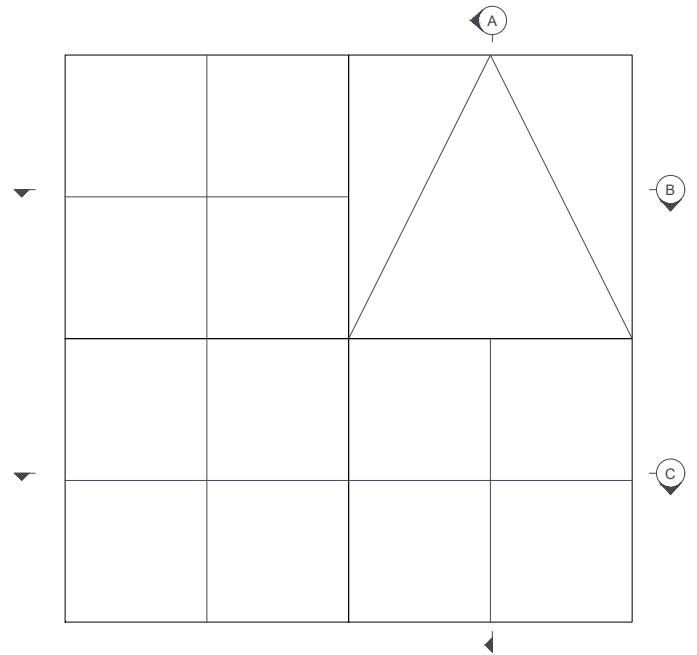
Section B
Horizontal Section
Scale: 1:2

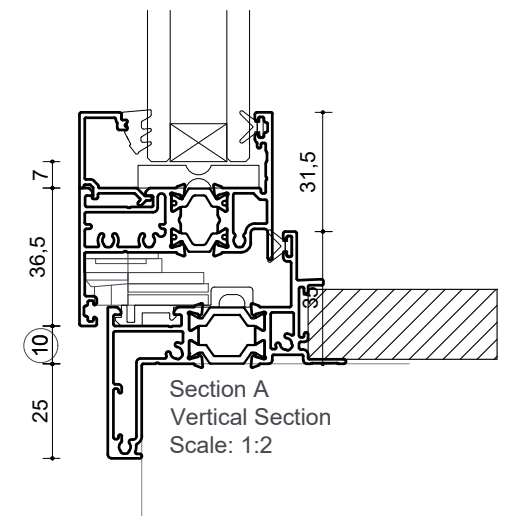
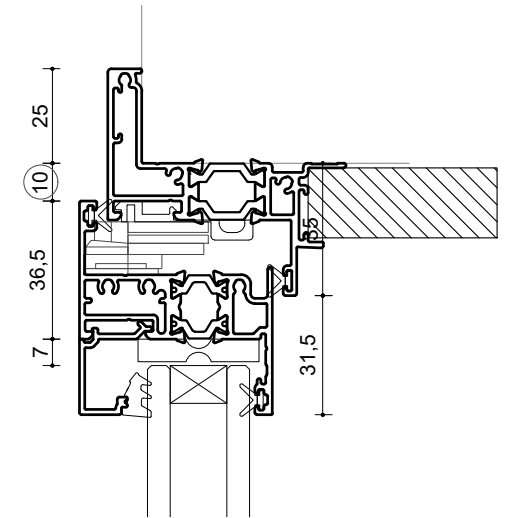
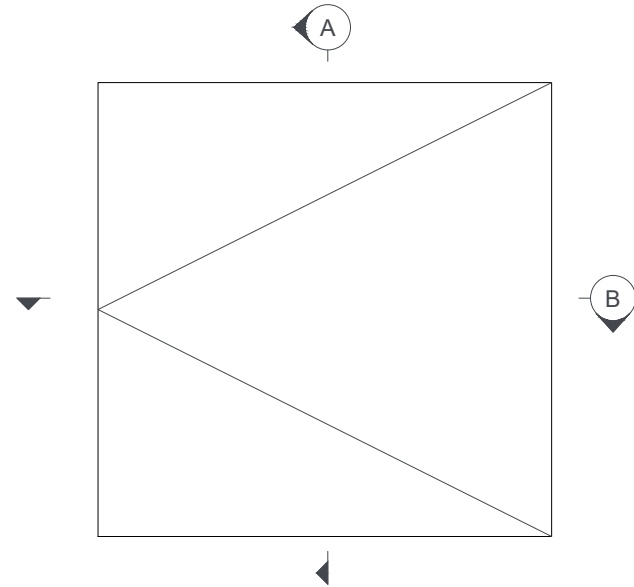


Section C
Horizontal Section
Scale: 1:2

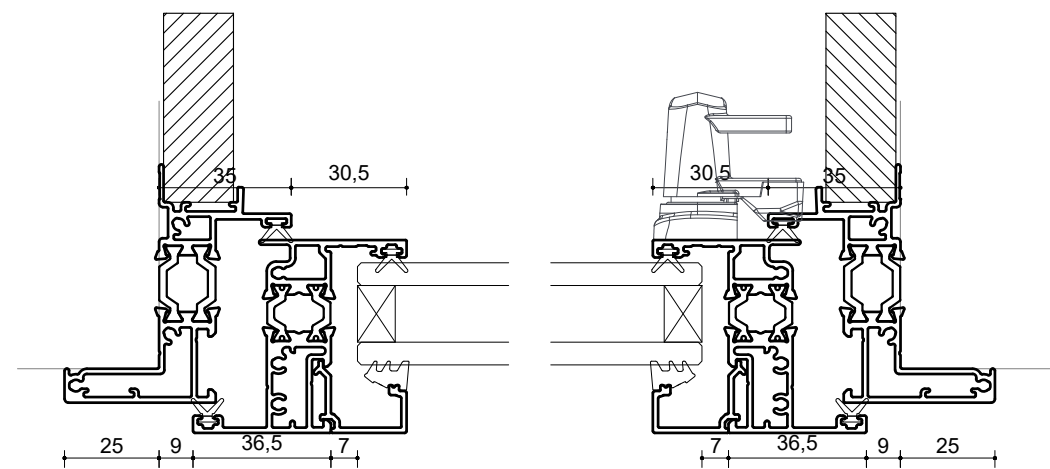


Section A
Vertical Section
Scale: 1:2

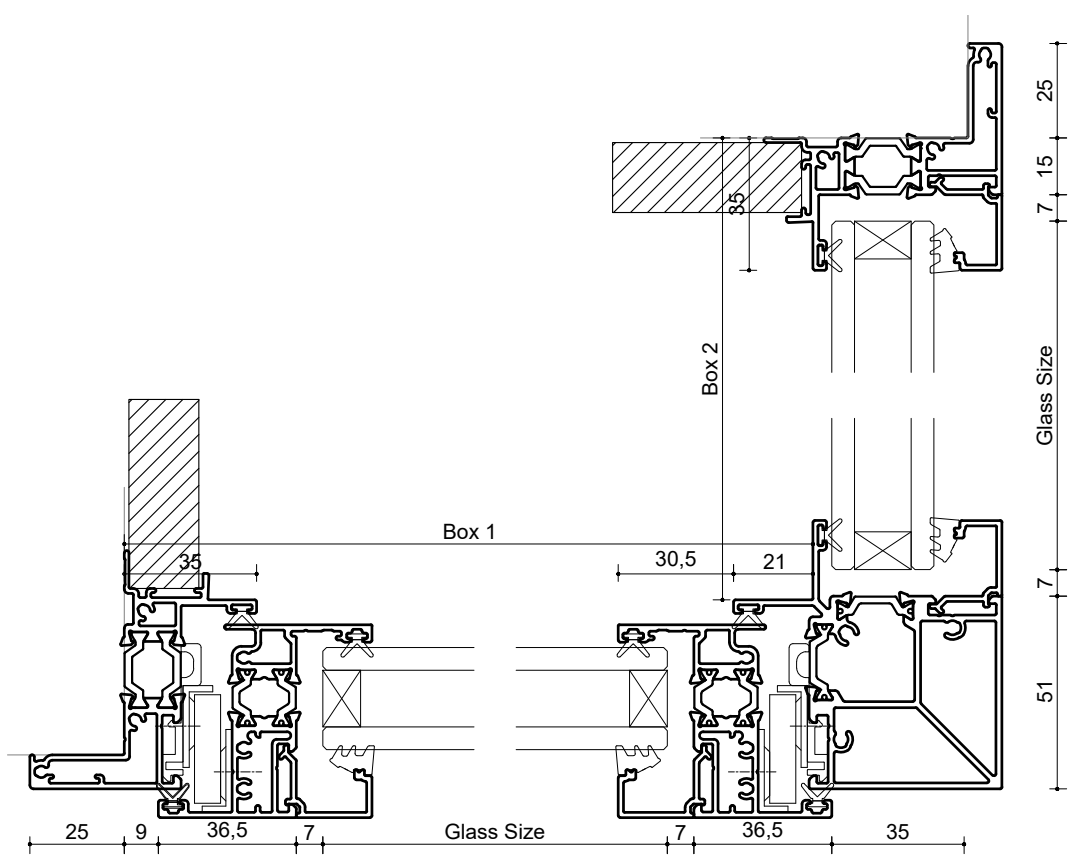
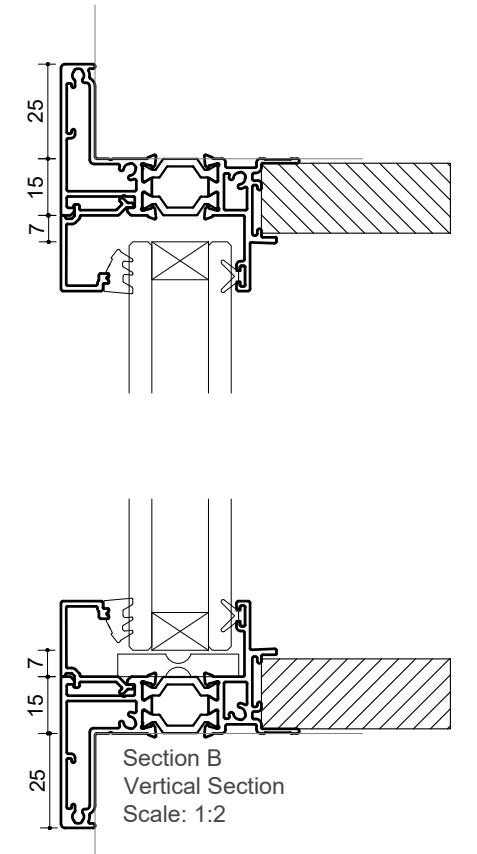
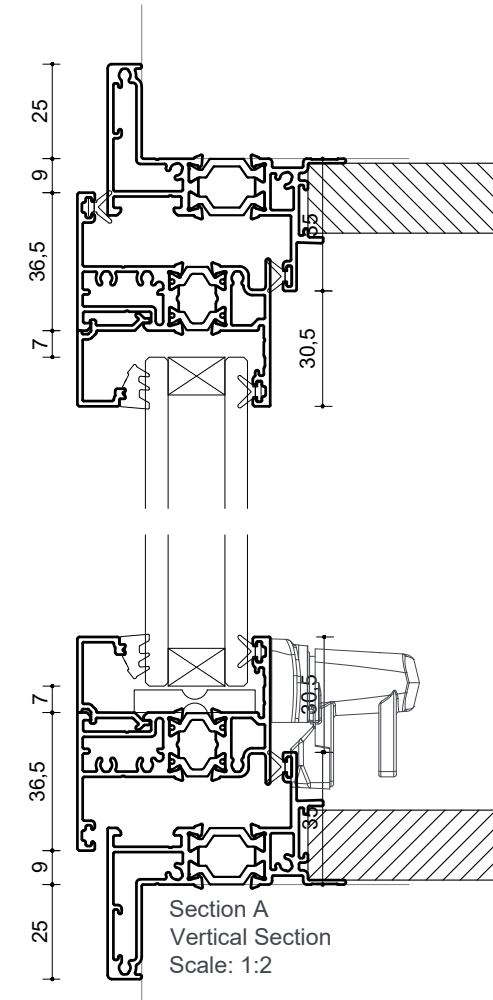
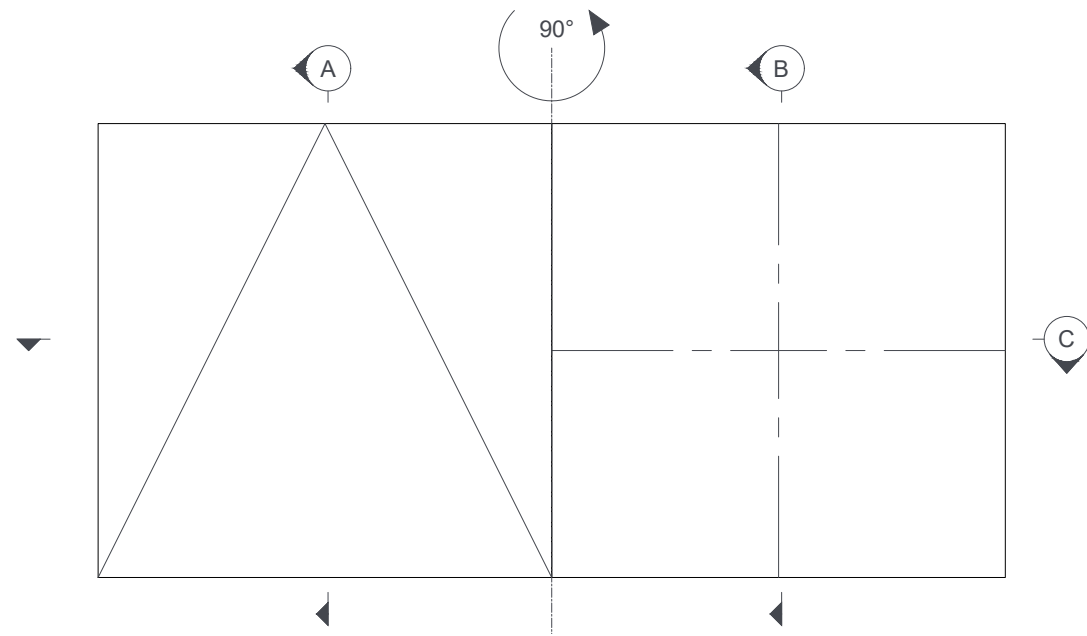




Section A
Vertical Section
Scale: 1:2



Section B
Horizontal Section
Scale: 1:2



Section C
Horizontal Section
Scale: 1:2