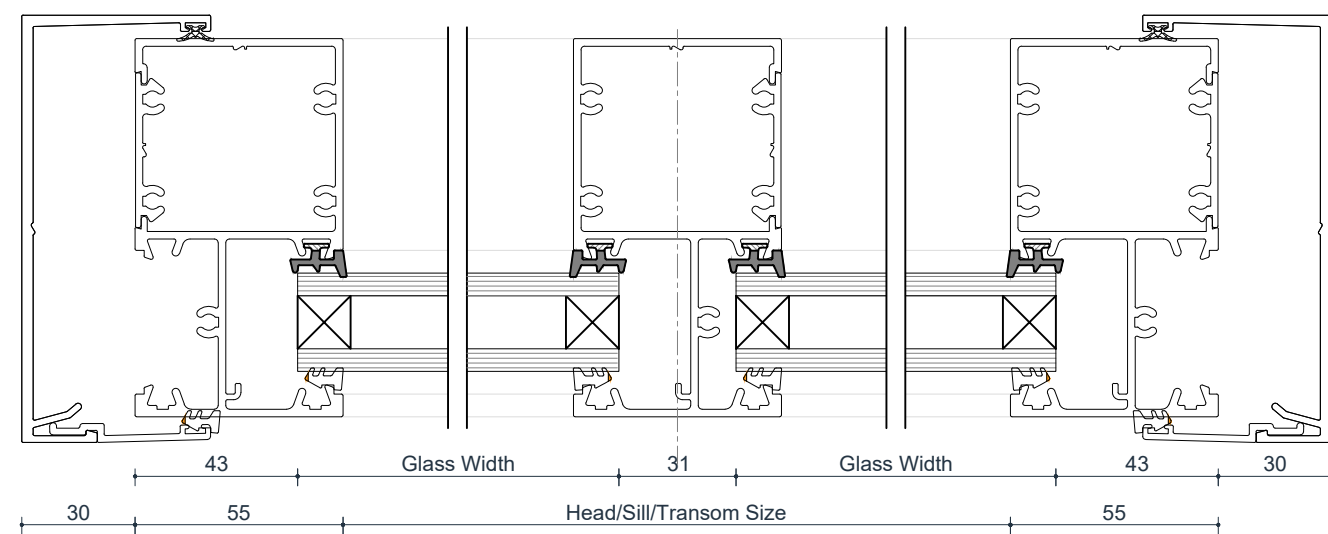
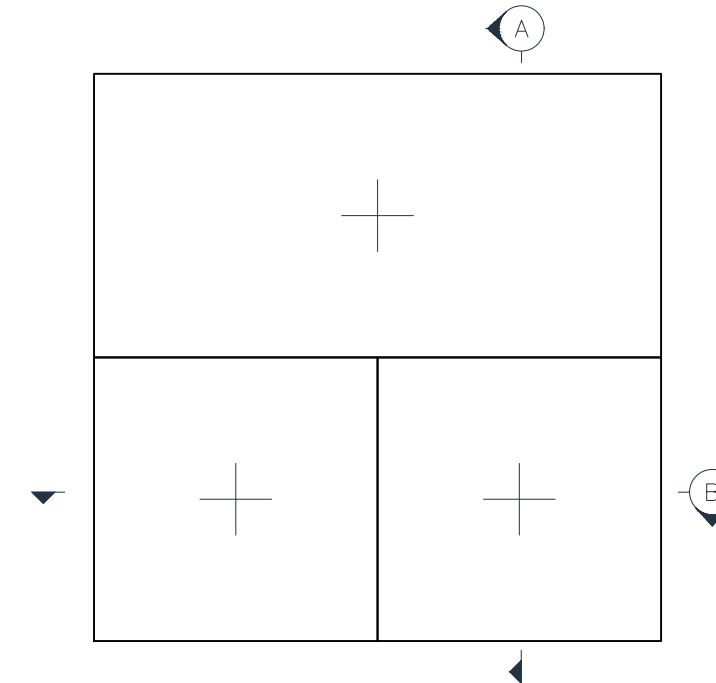
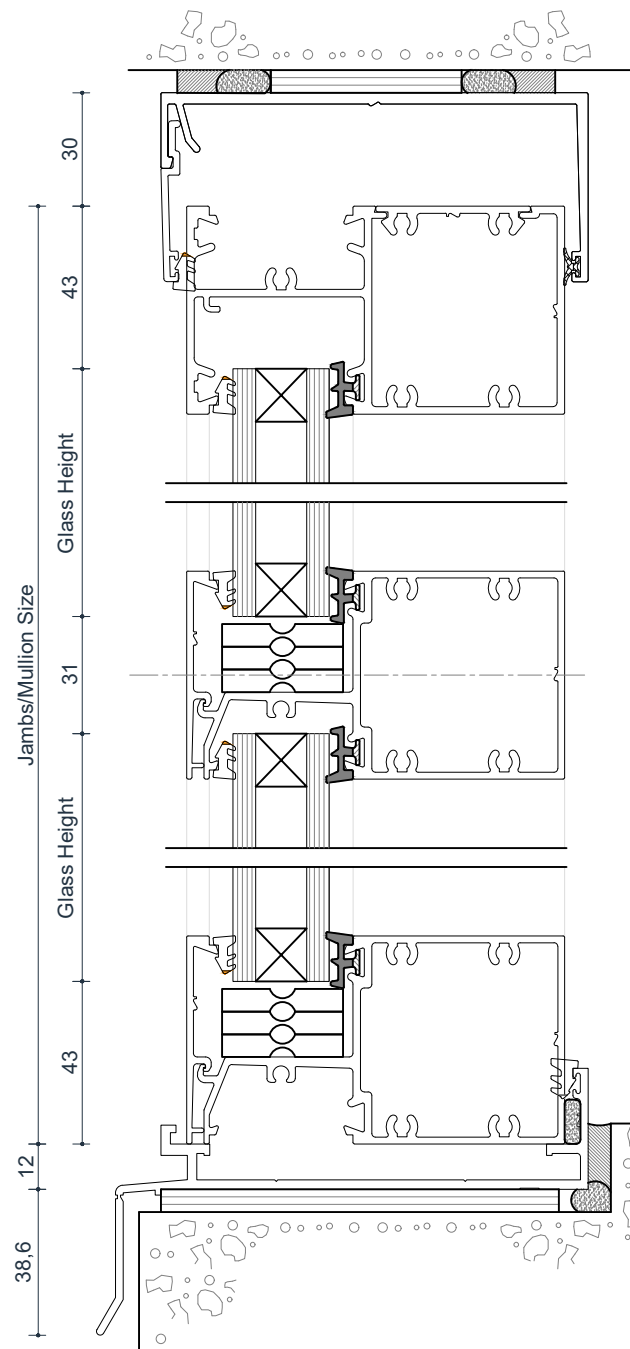


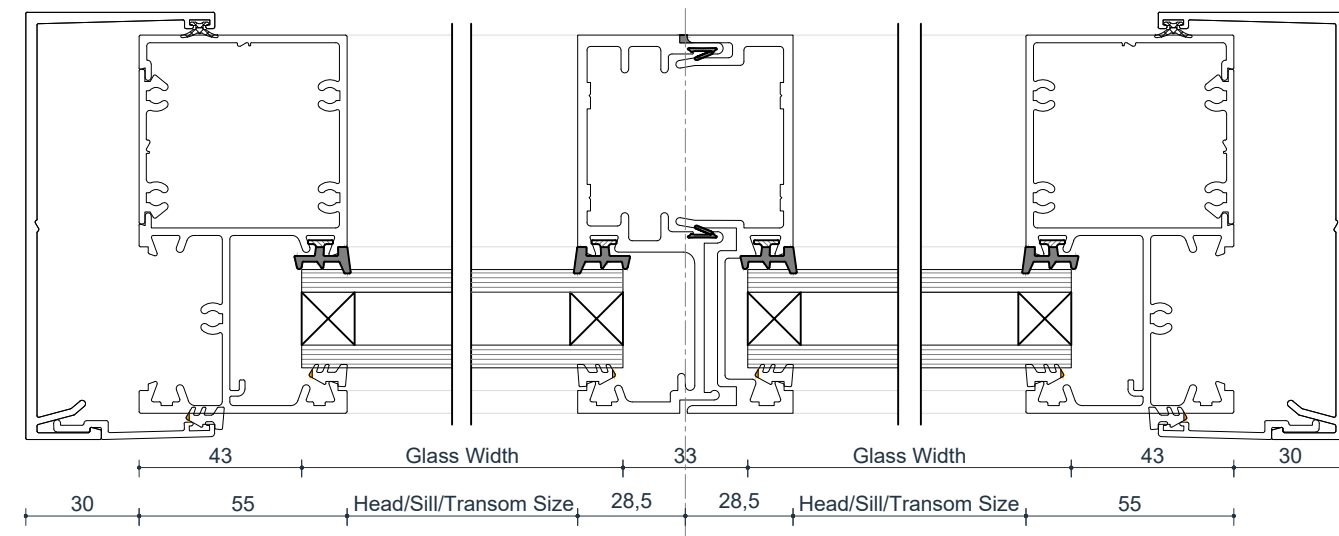
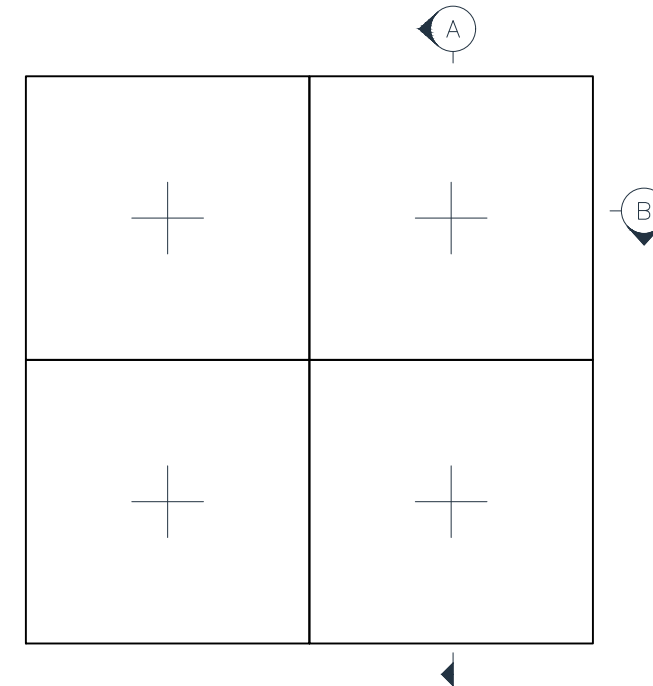
Section A  
Vertical Section



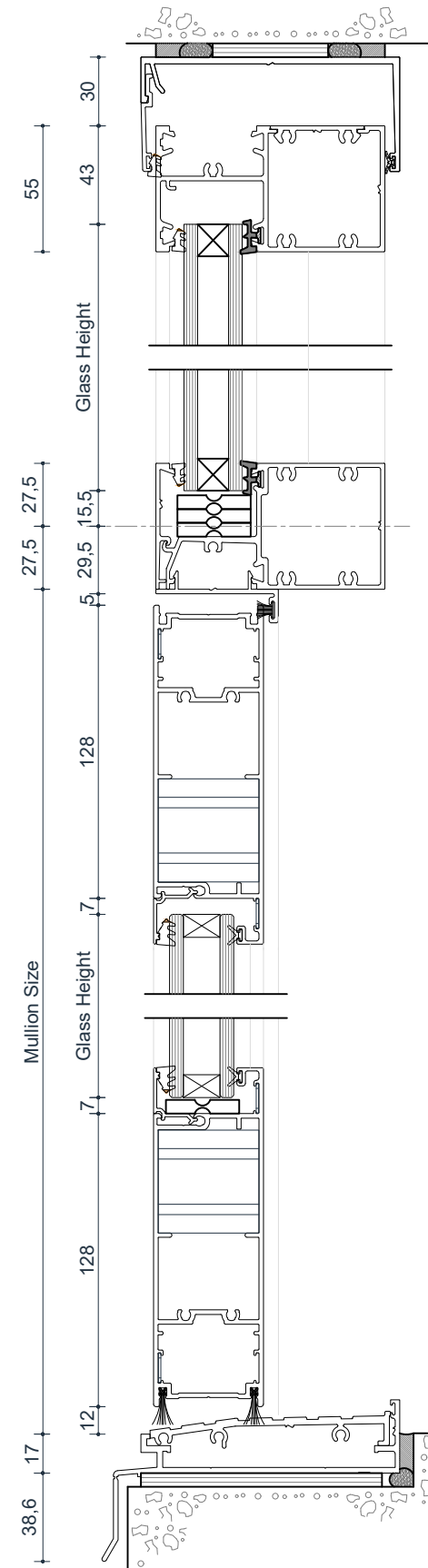
Section B  
horizontal Section



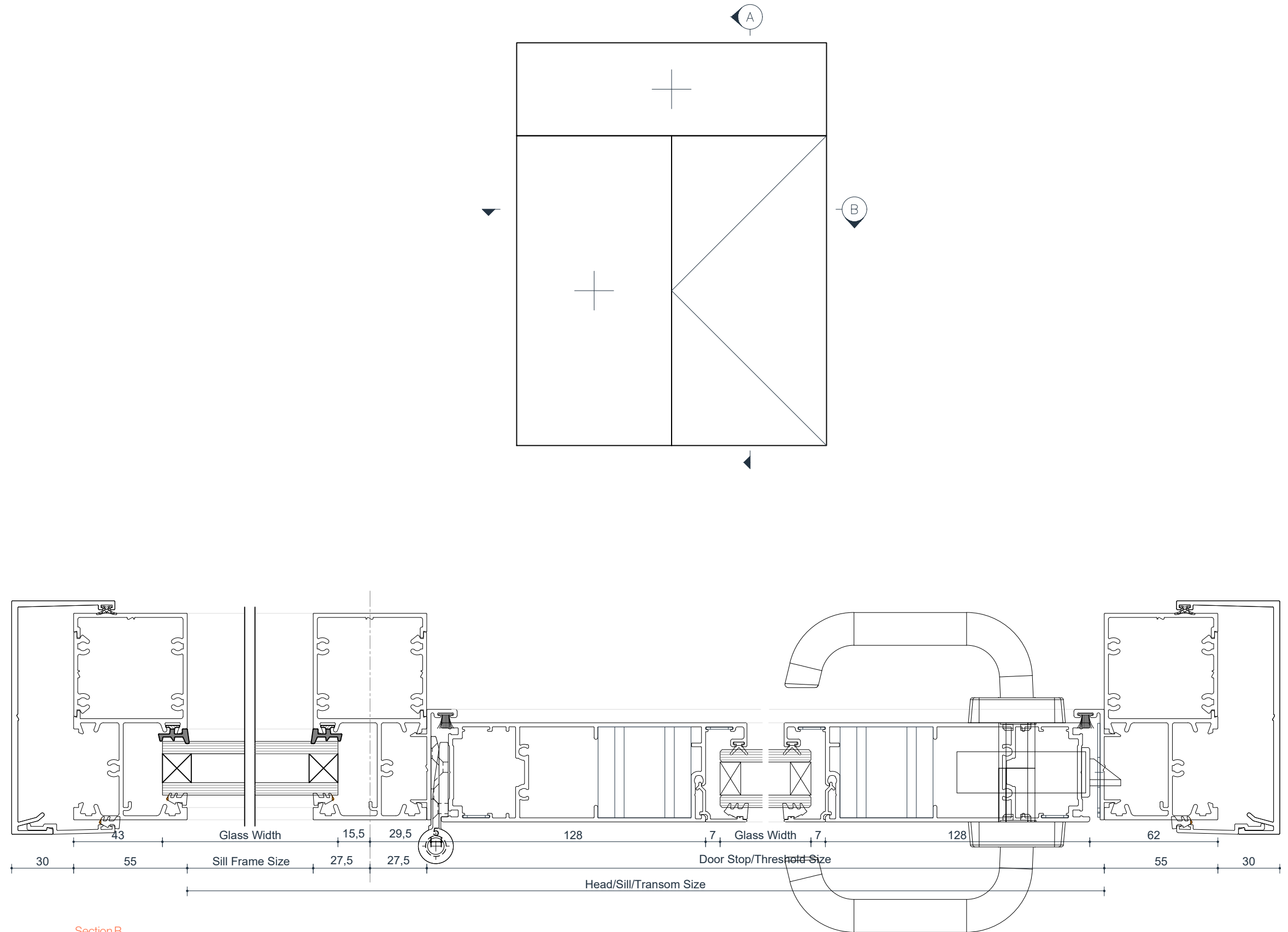
Section A  
Vertical Section



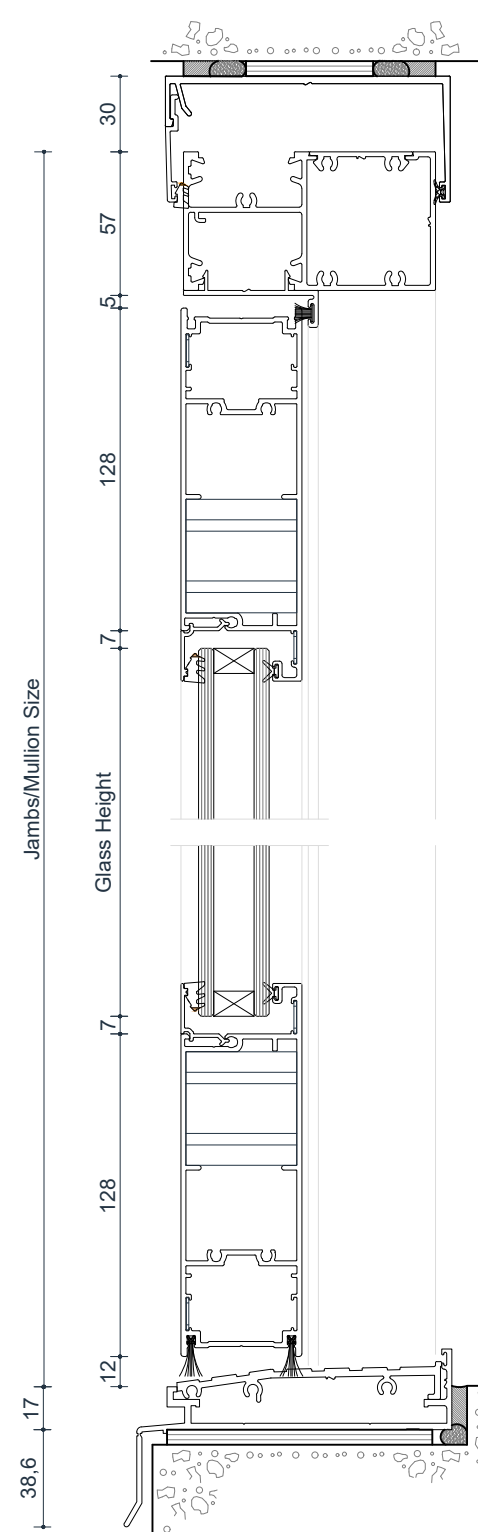
Section B  
horizontal Section



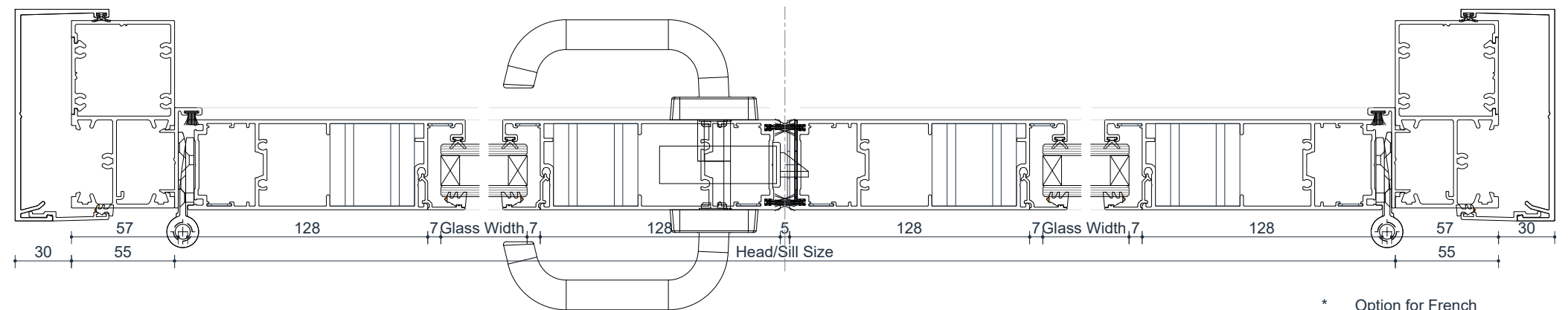
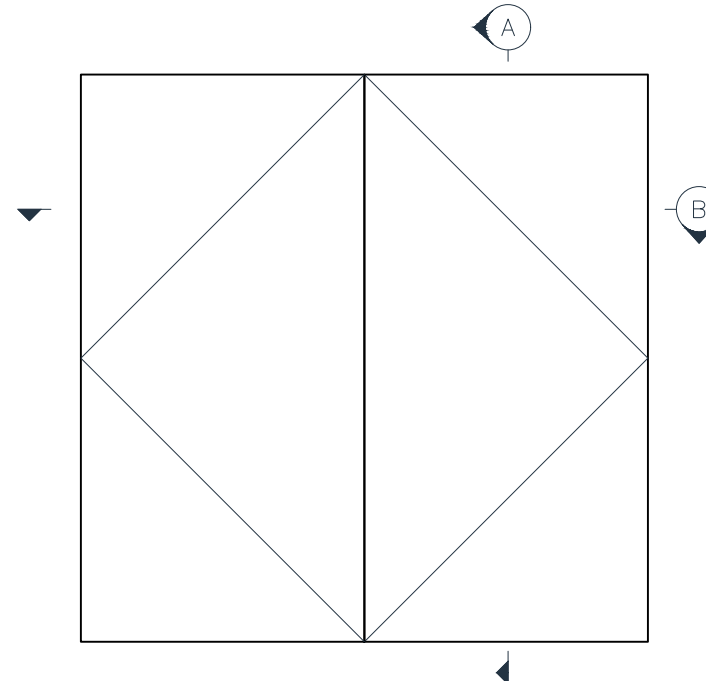
Section A  
Vertical Section  
Scale 1:3



Section B  
horizontal Section

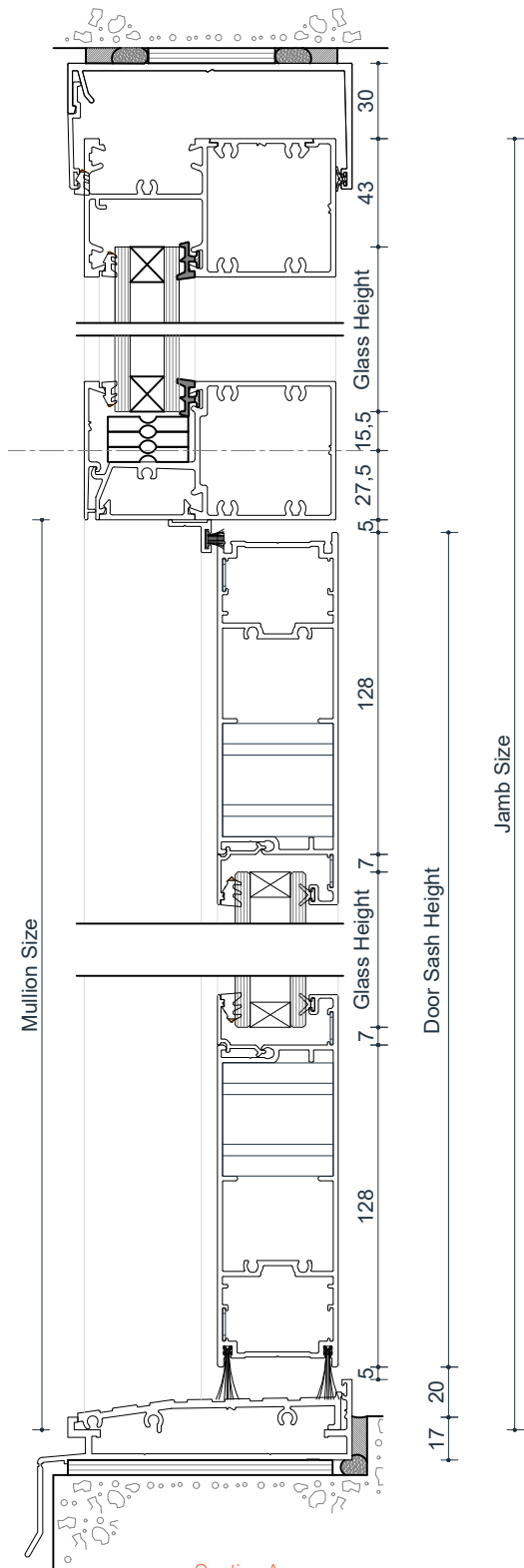


Section A  
Vertical Section



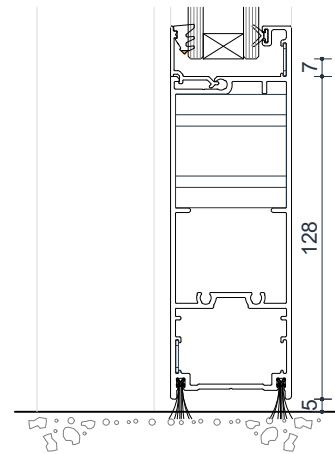
Section B  
horizontal Section

\* Option for French Door OI

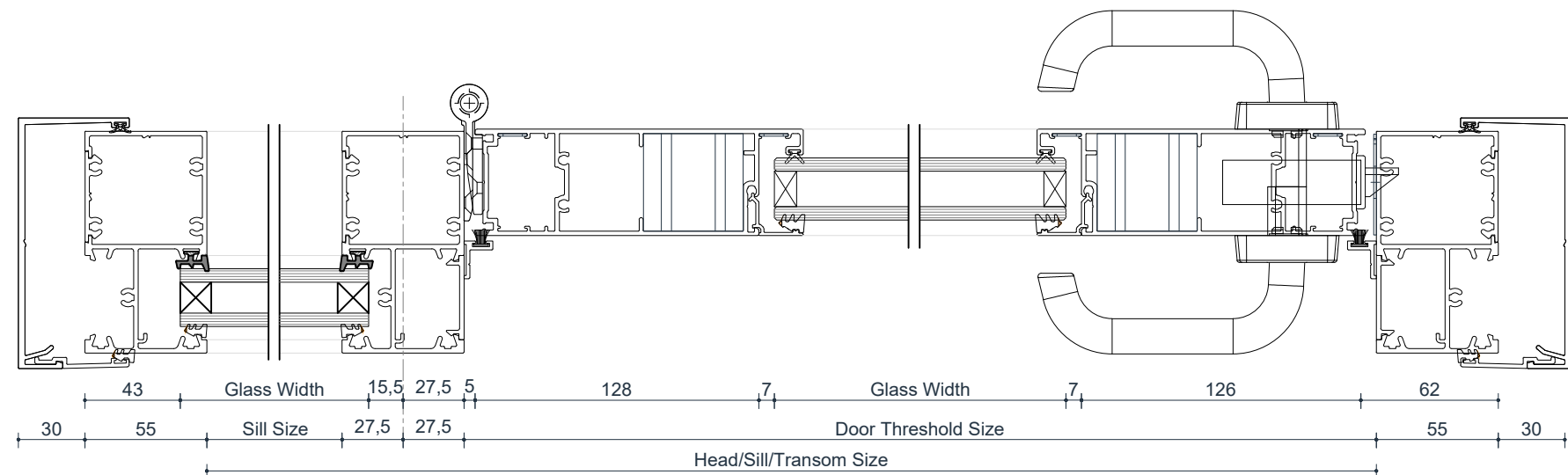
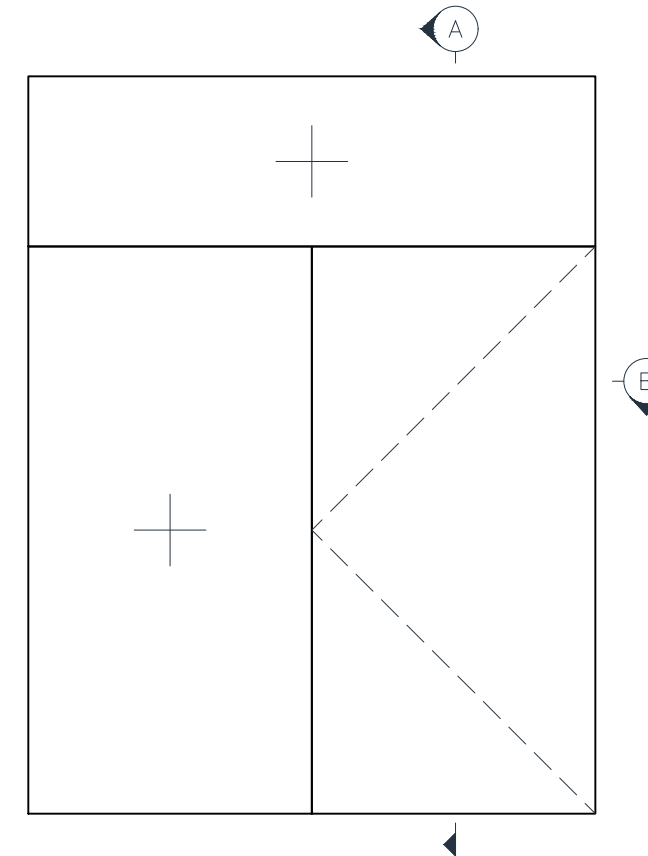


Section A  
Vertical Section

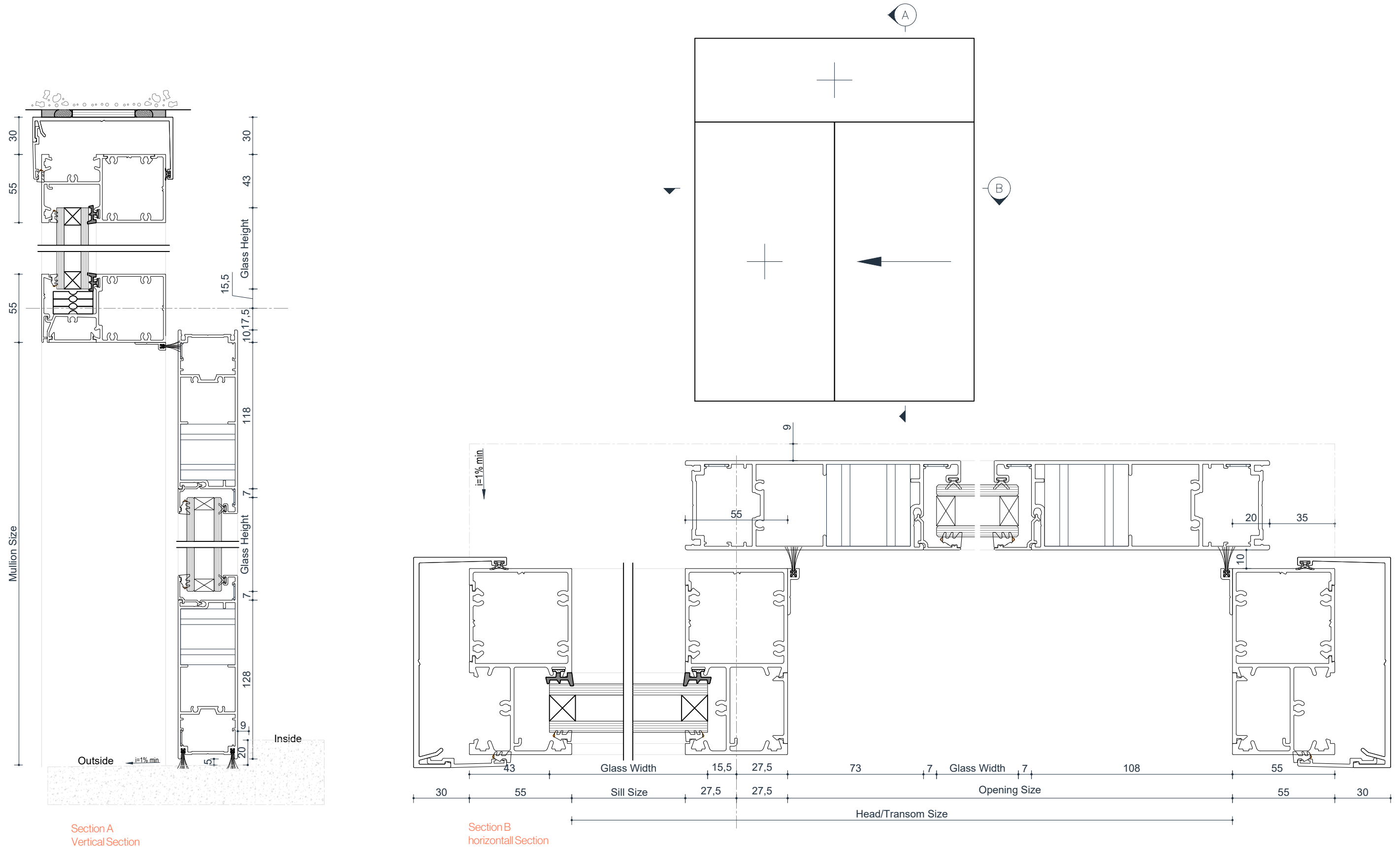
\*For sheltered locations only where weather proofing is not required.

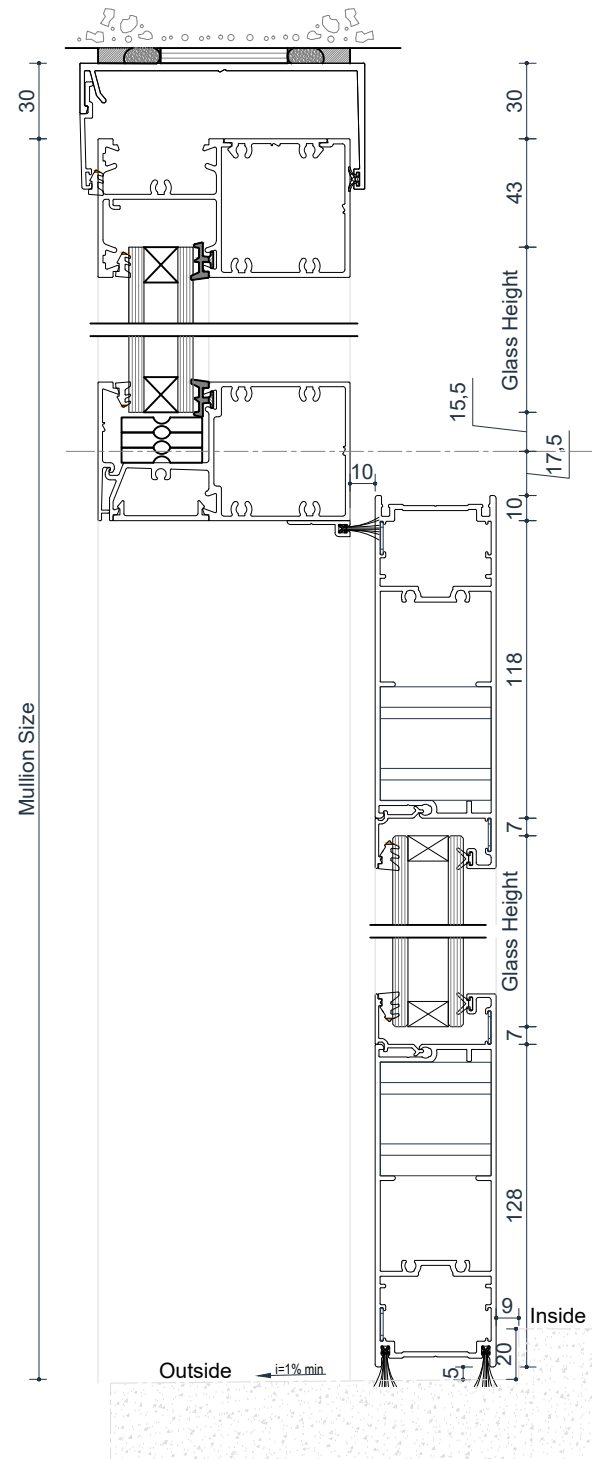


Section A  
Vertical Section

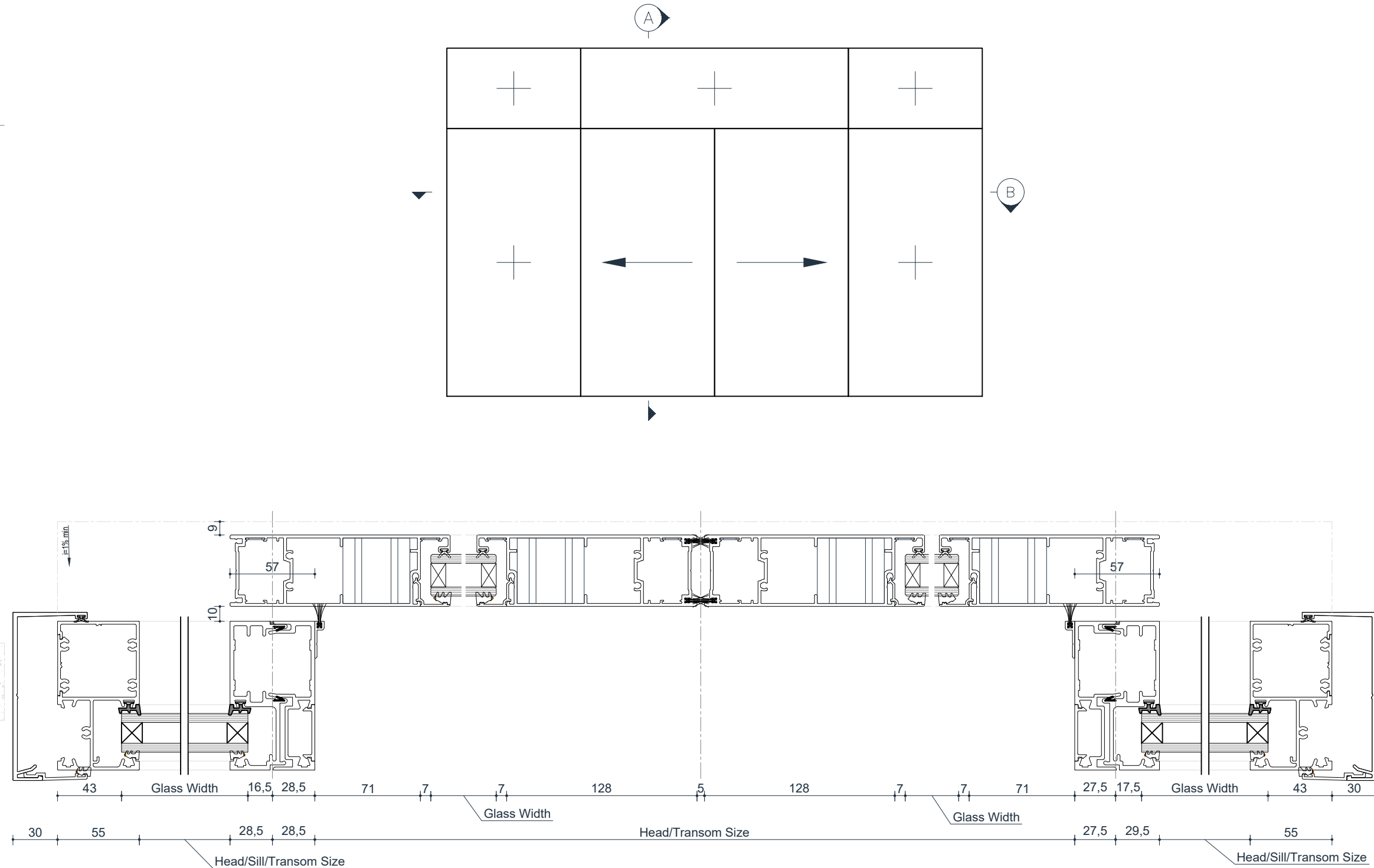


Section B  
horizontal Section



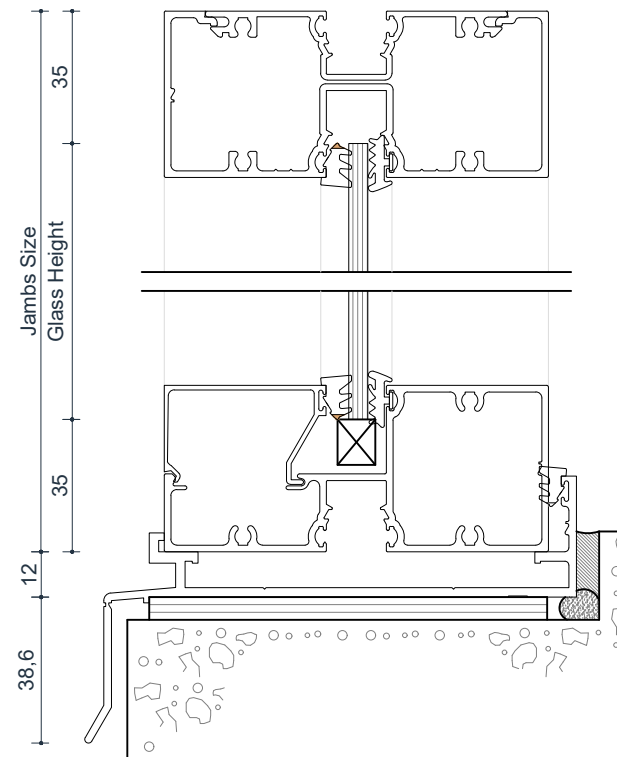


Section A  
Vertical Section

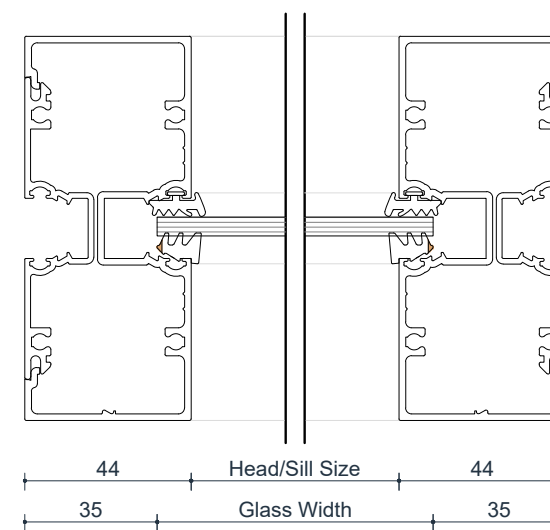
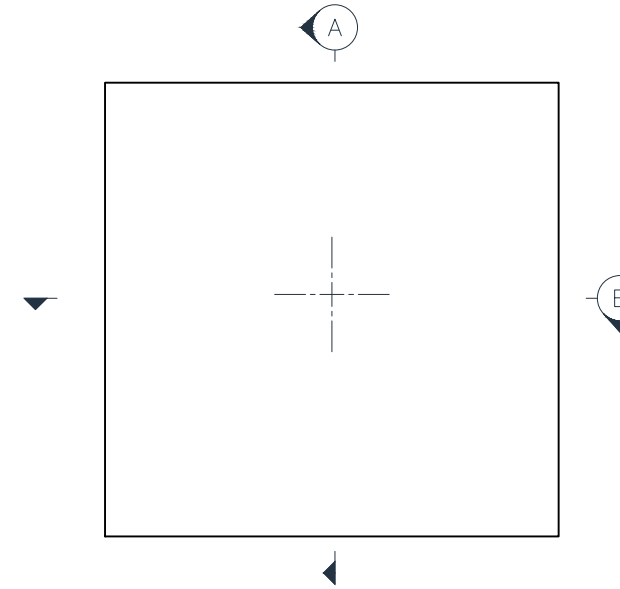


Section B  
horizontal Section

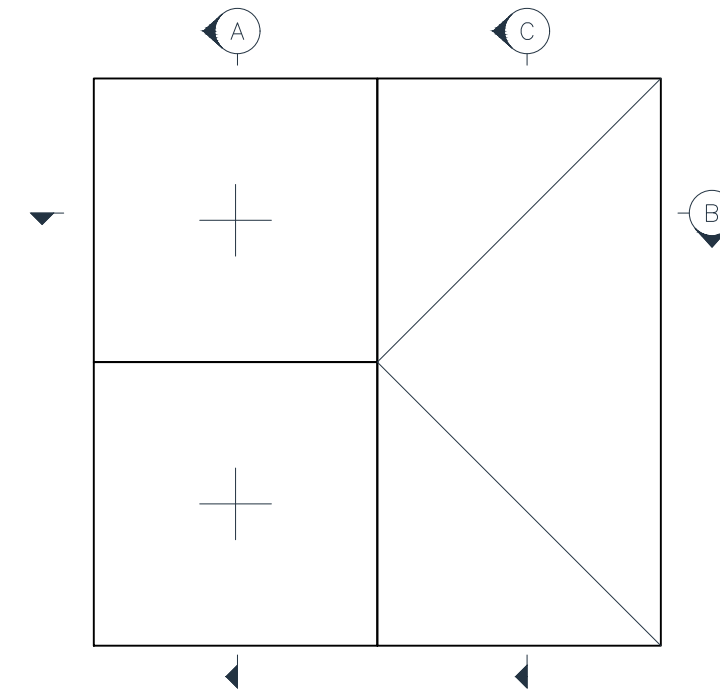
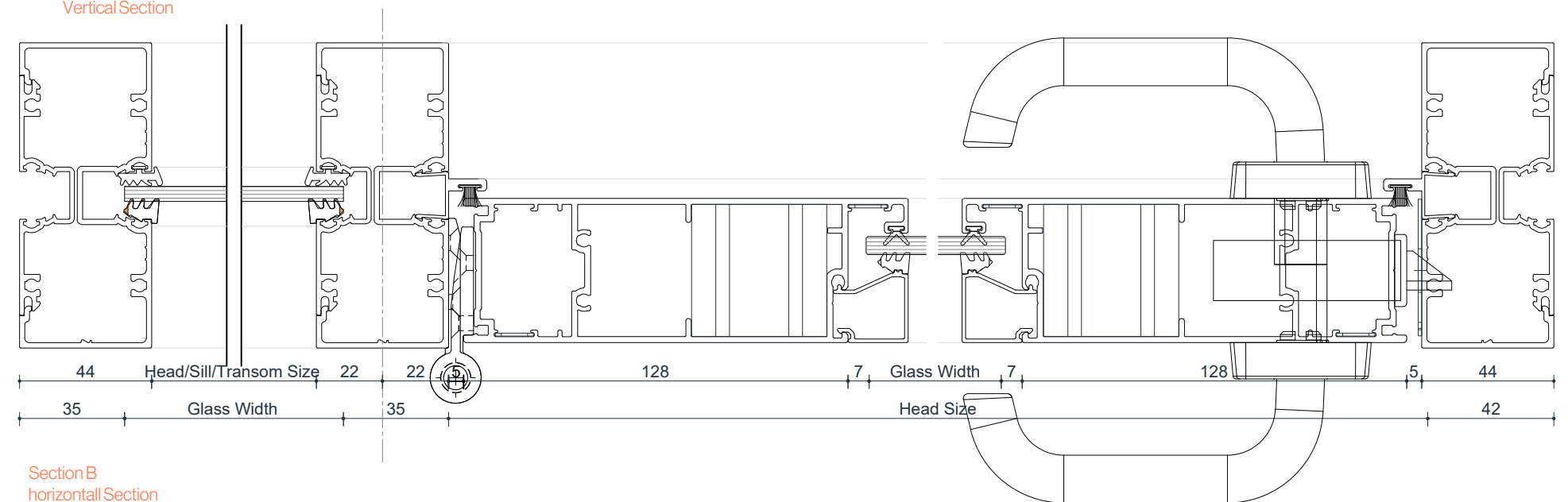
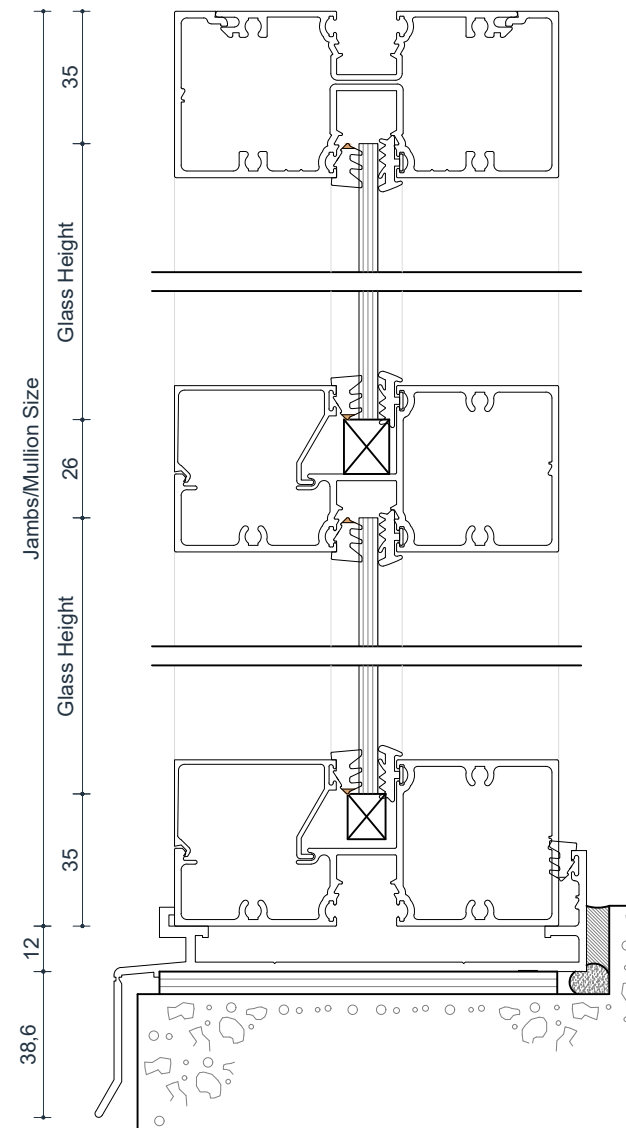
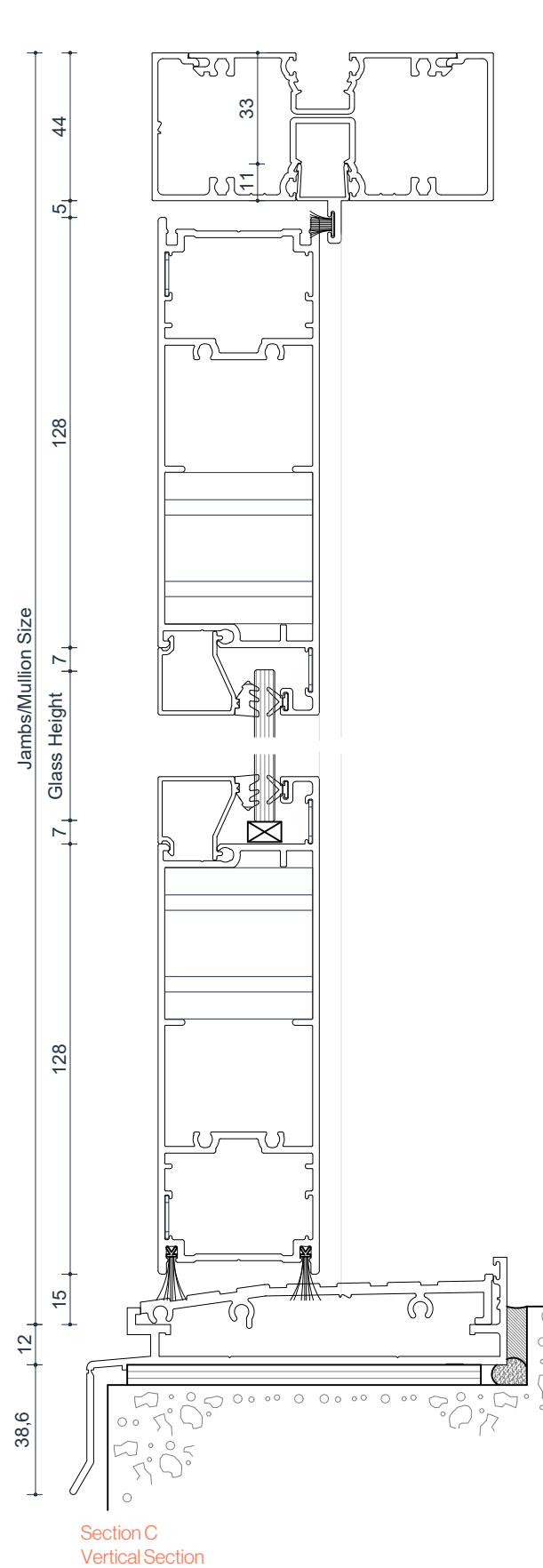


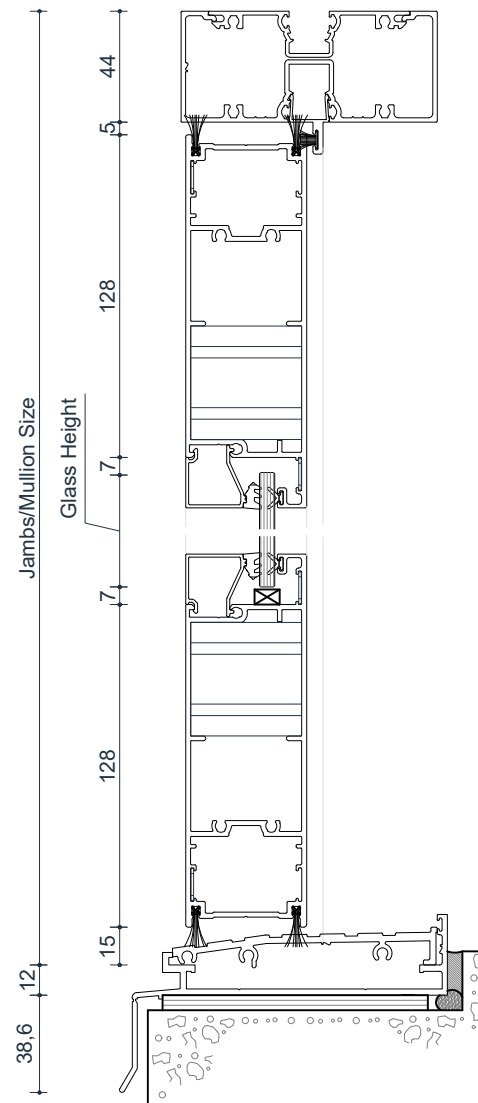


Section A  
Vertical Section

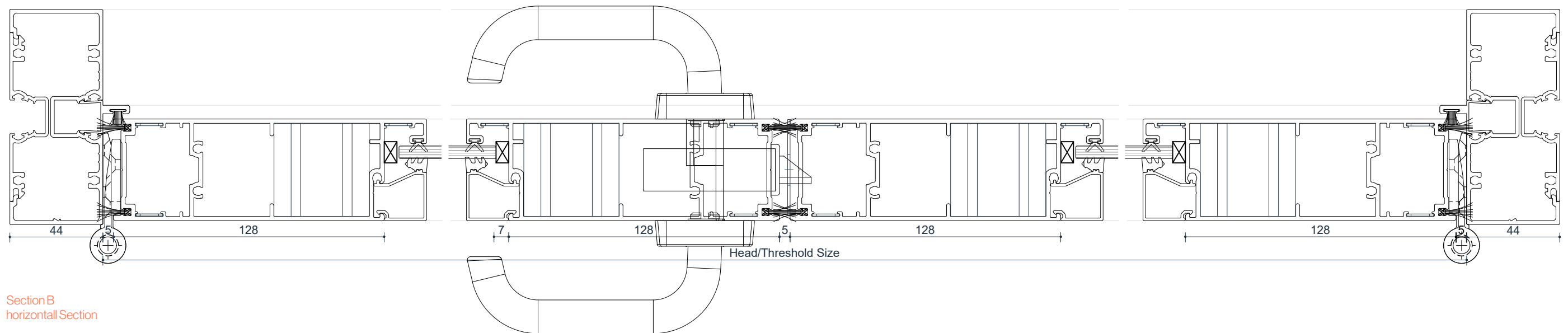
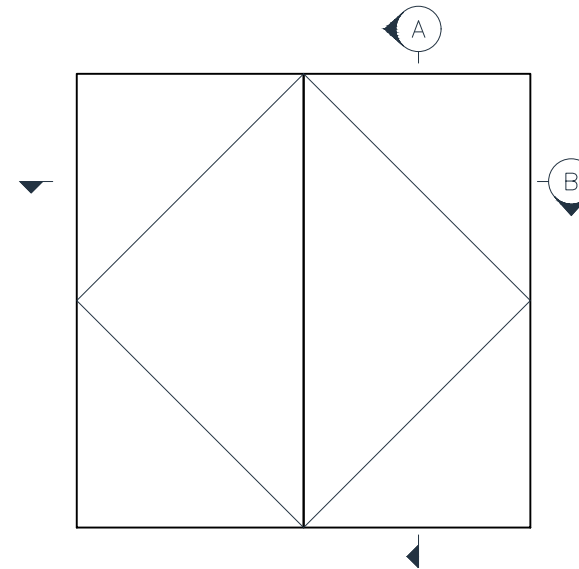


Section B  
horizontal Section

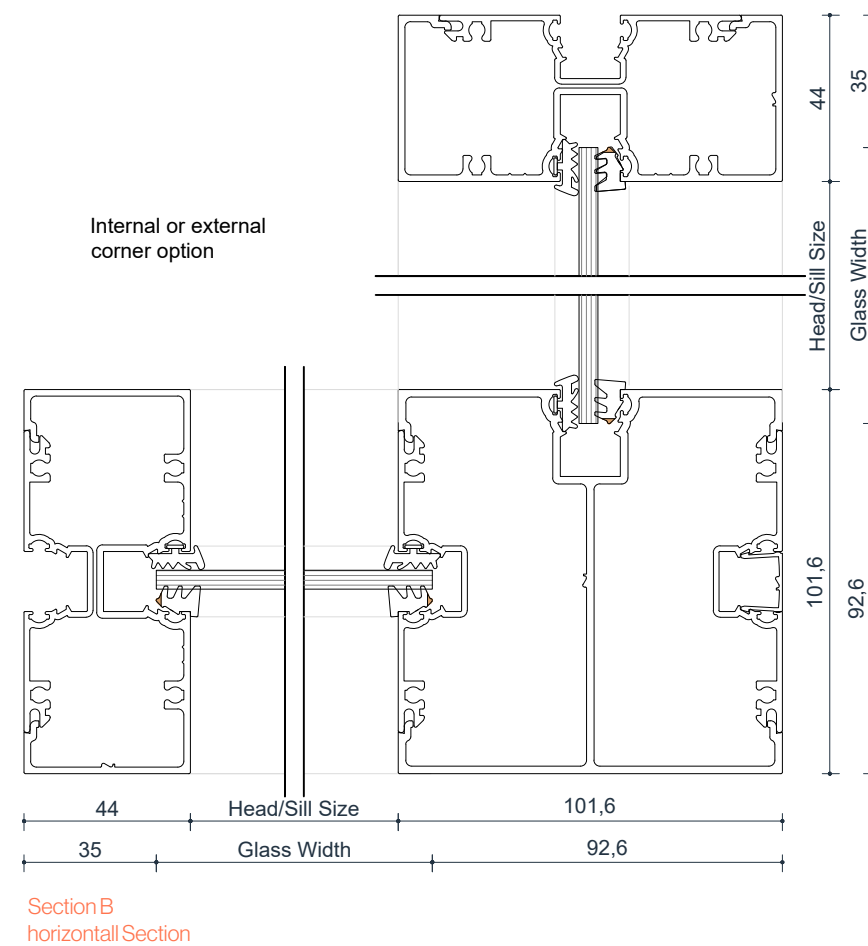
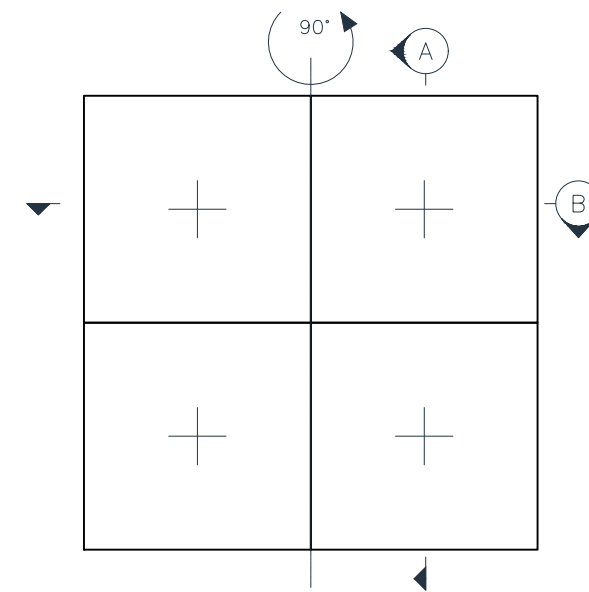
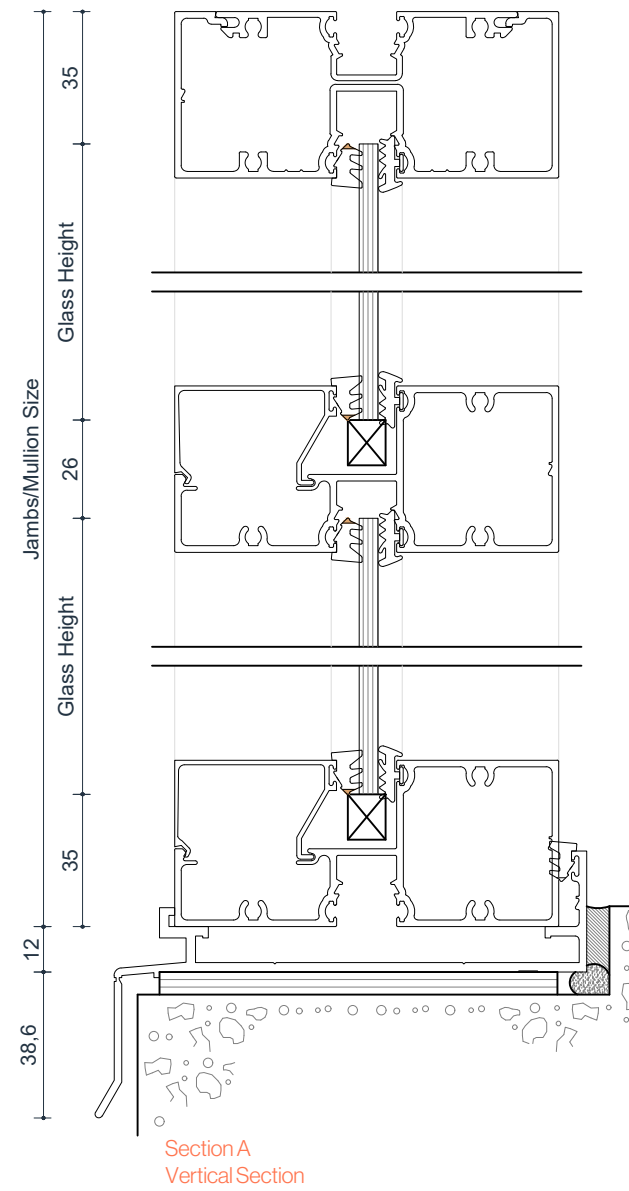


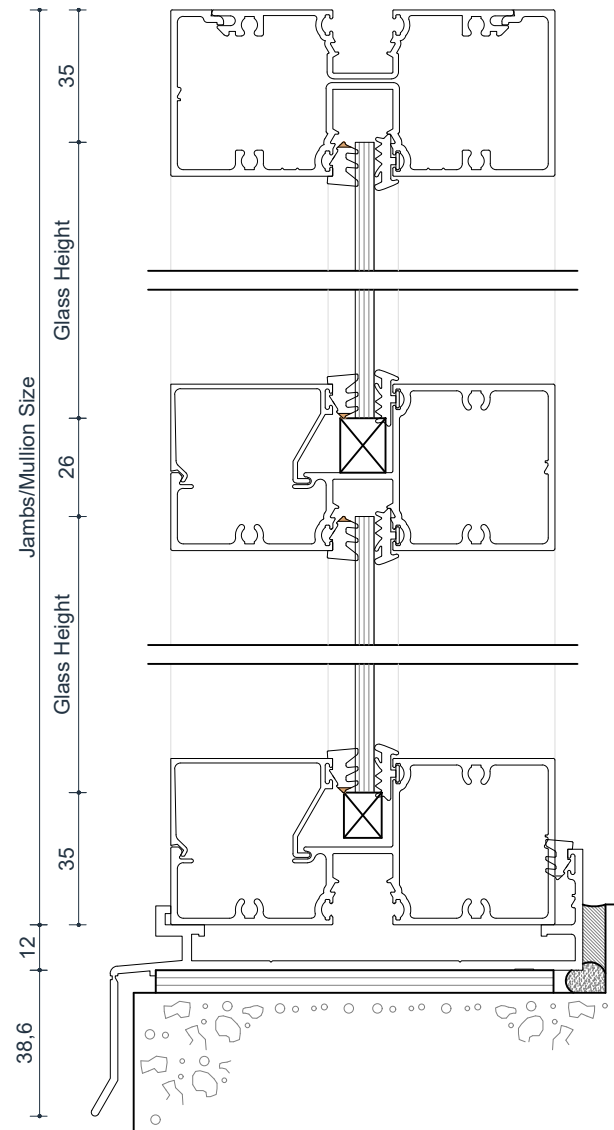
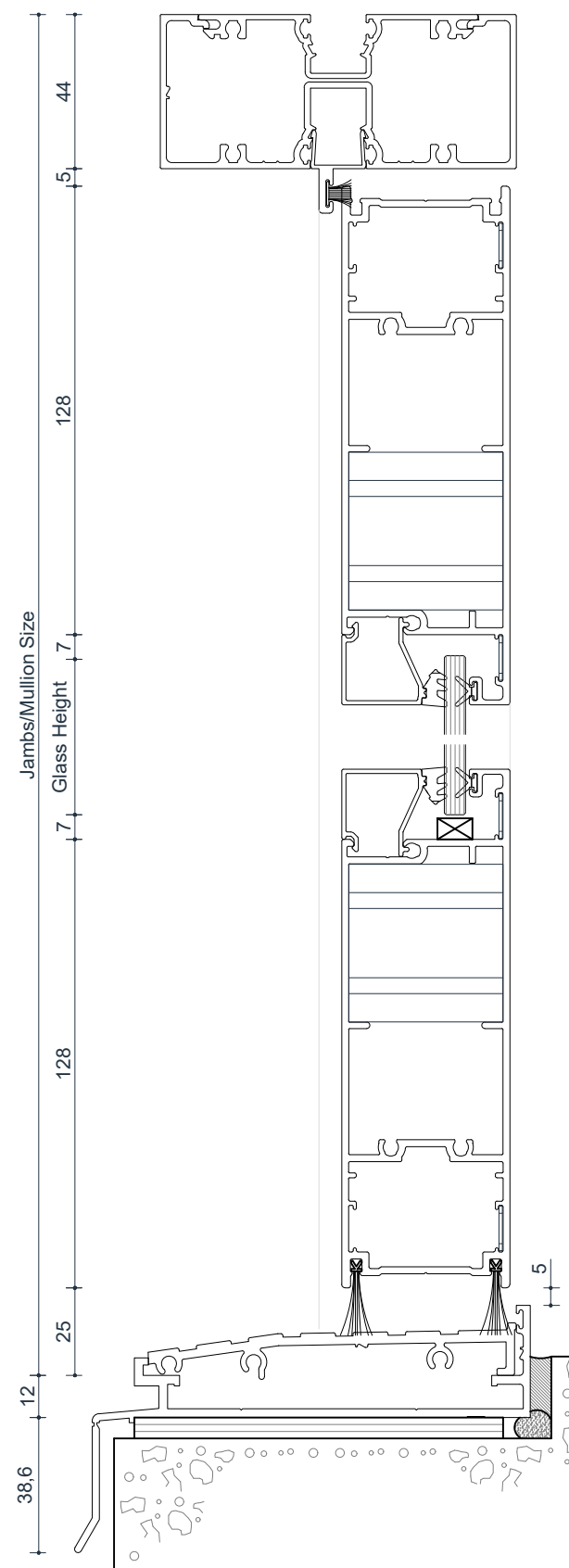


Section A  
Vertical Section  
Scale 1:3

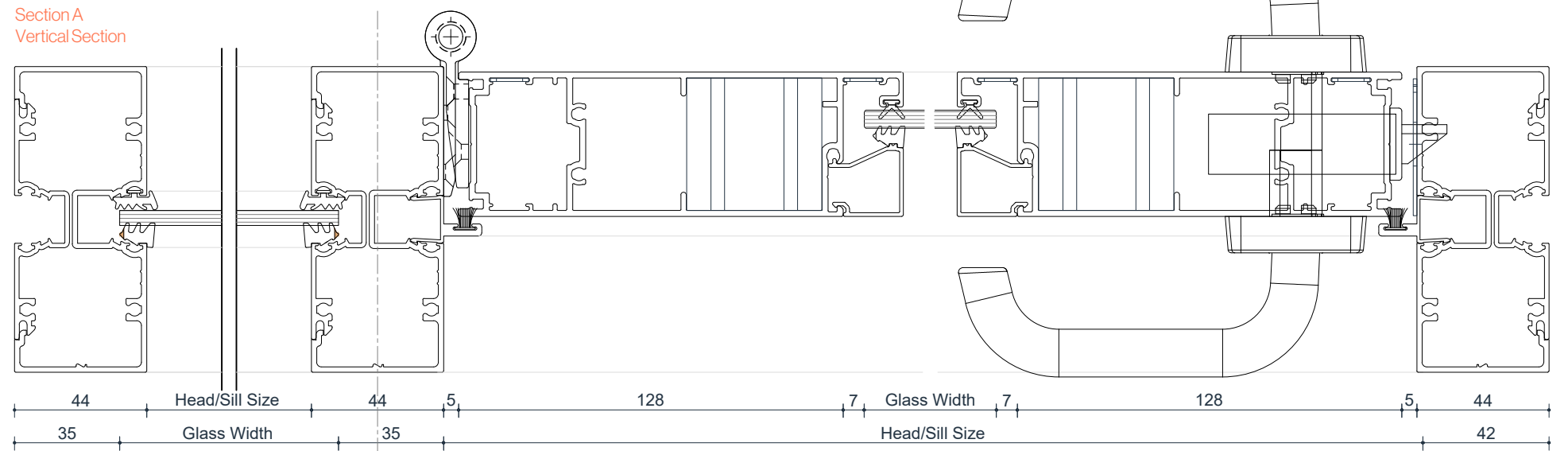


Section B  
horizontal Section





Section A  
Vertical Section



Section B  
Horizontal Section

