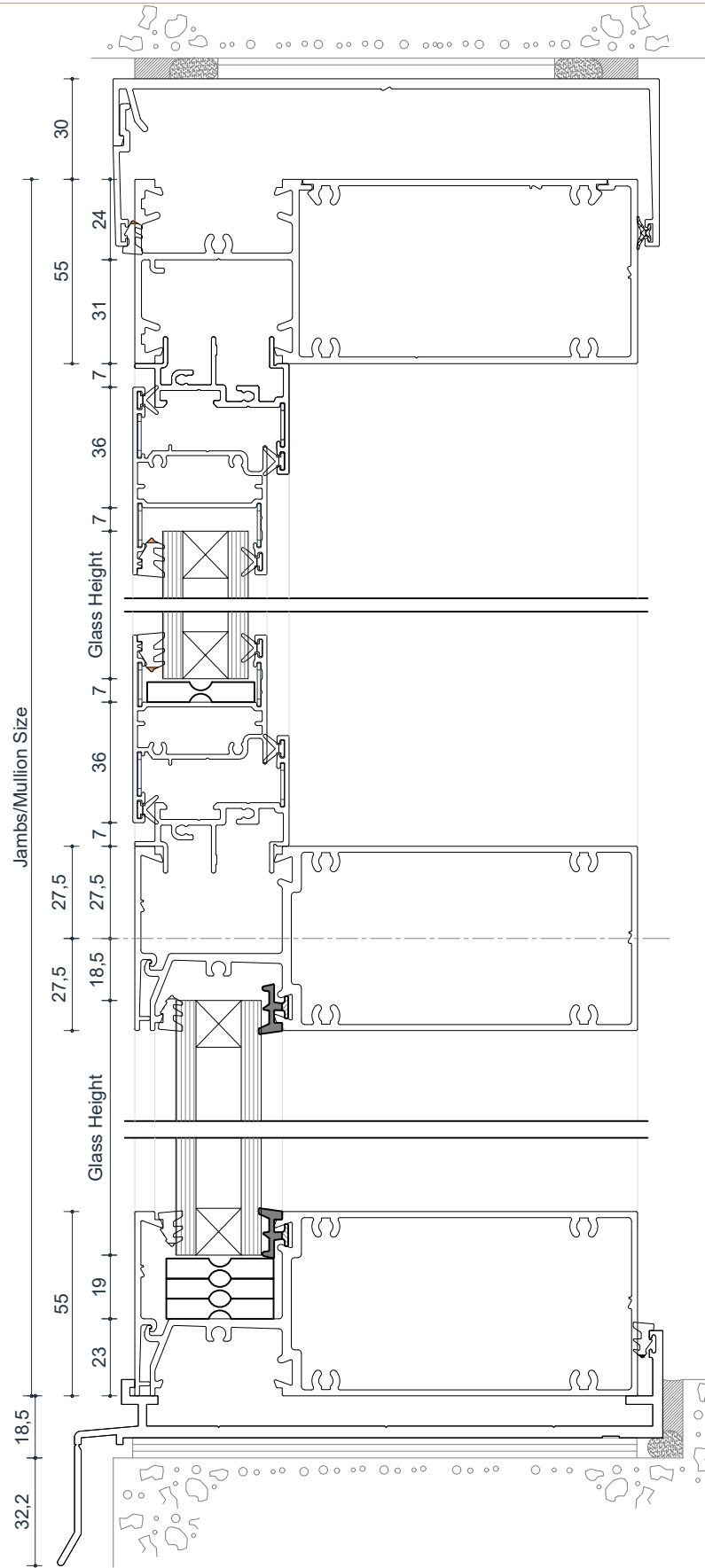
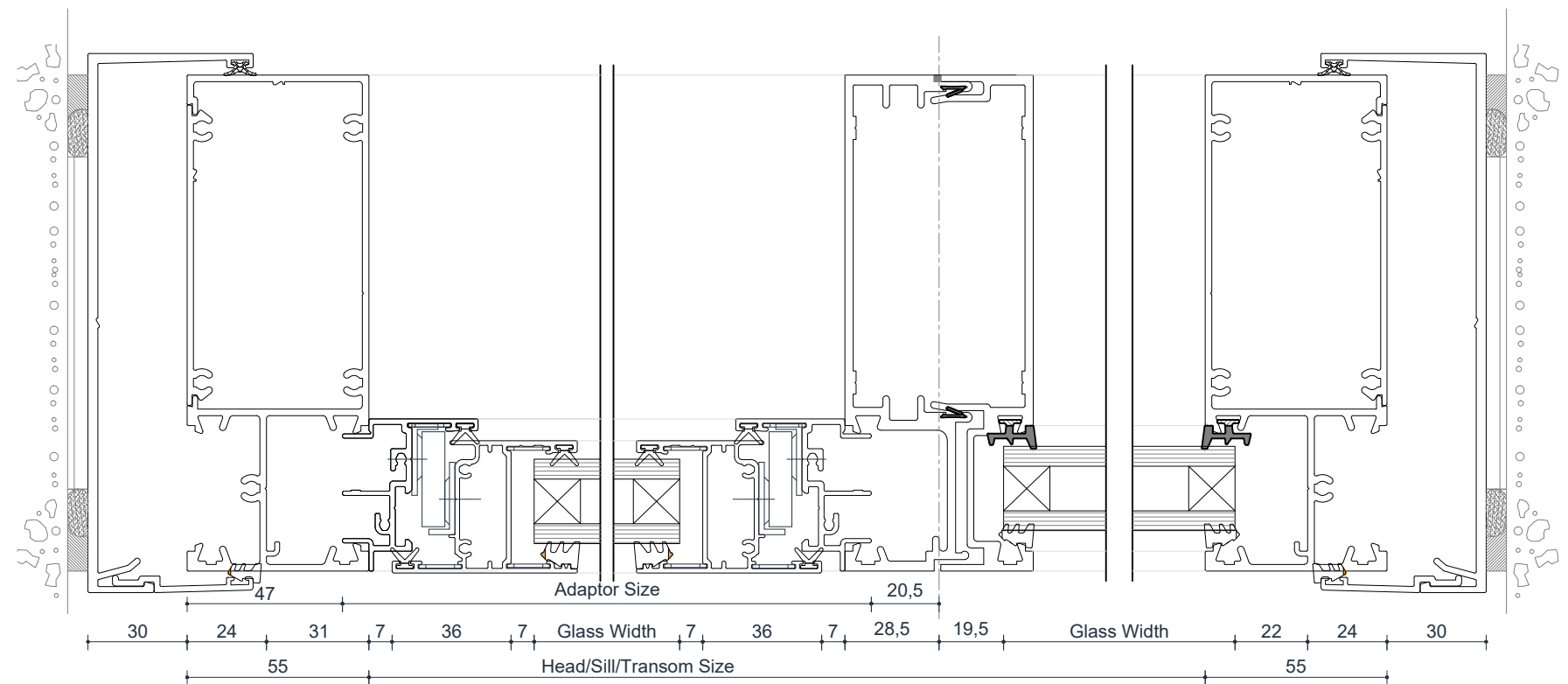
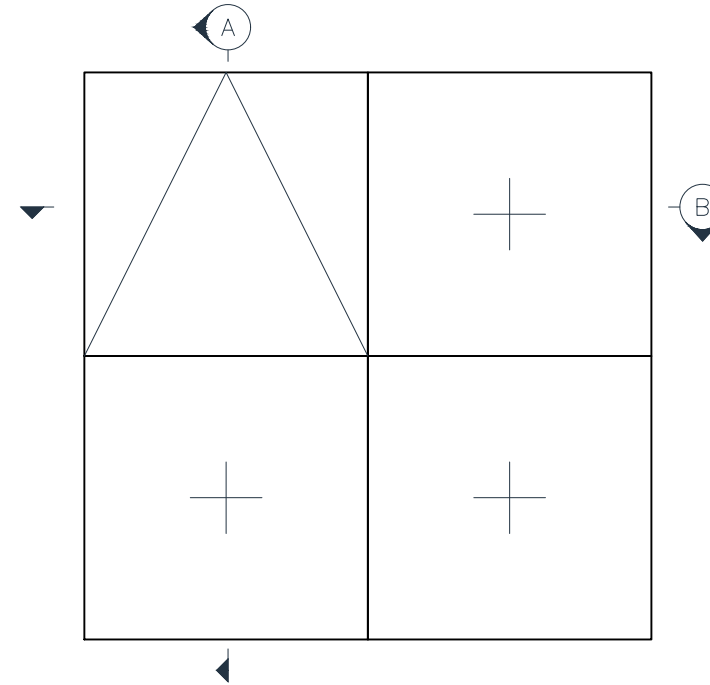


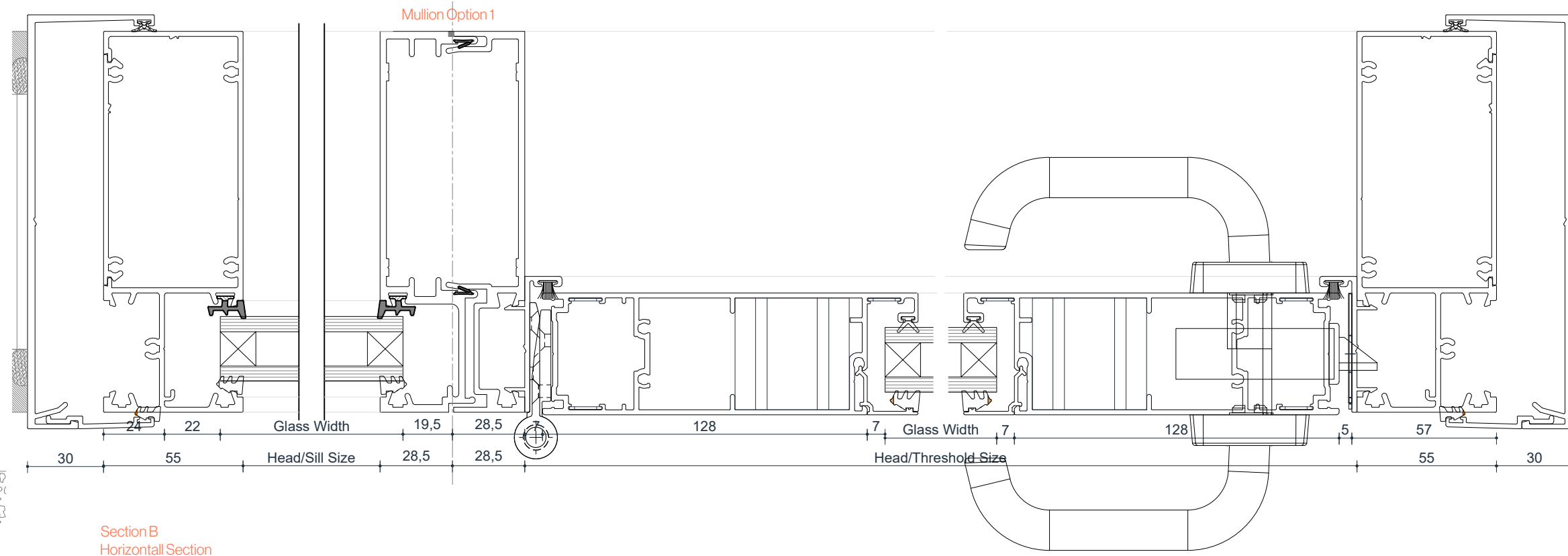
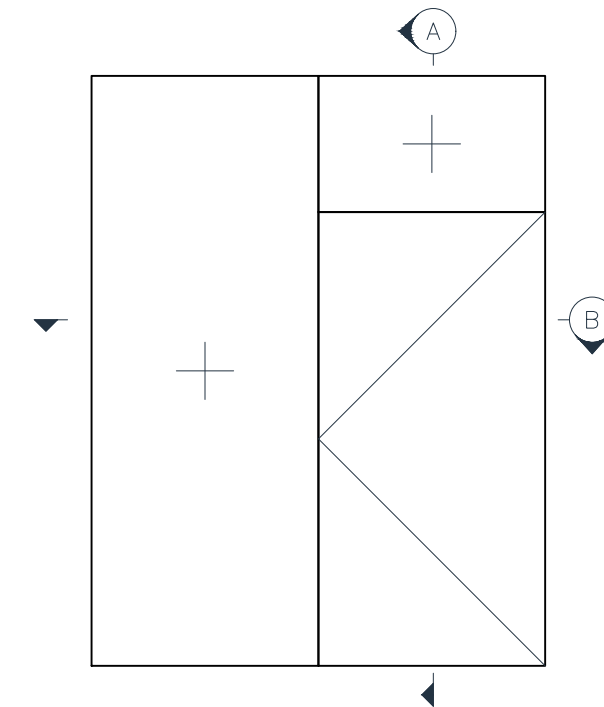
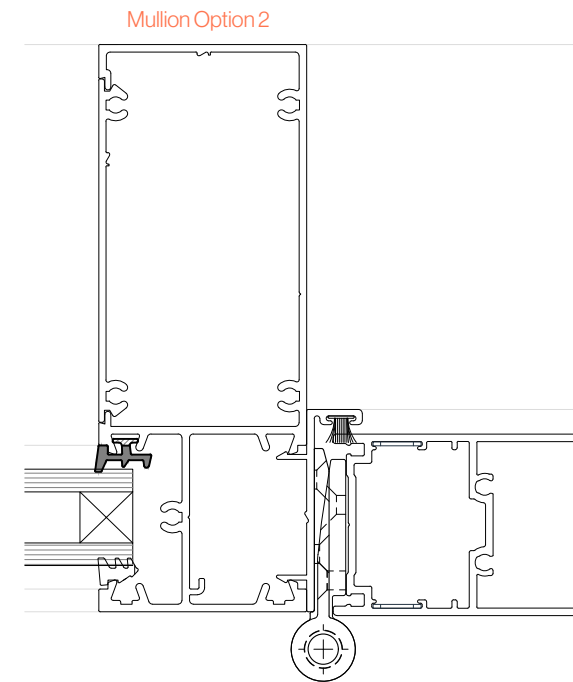
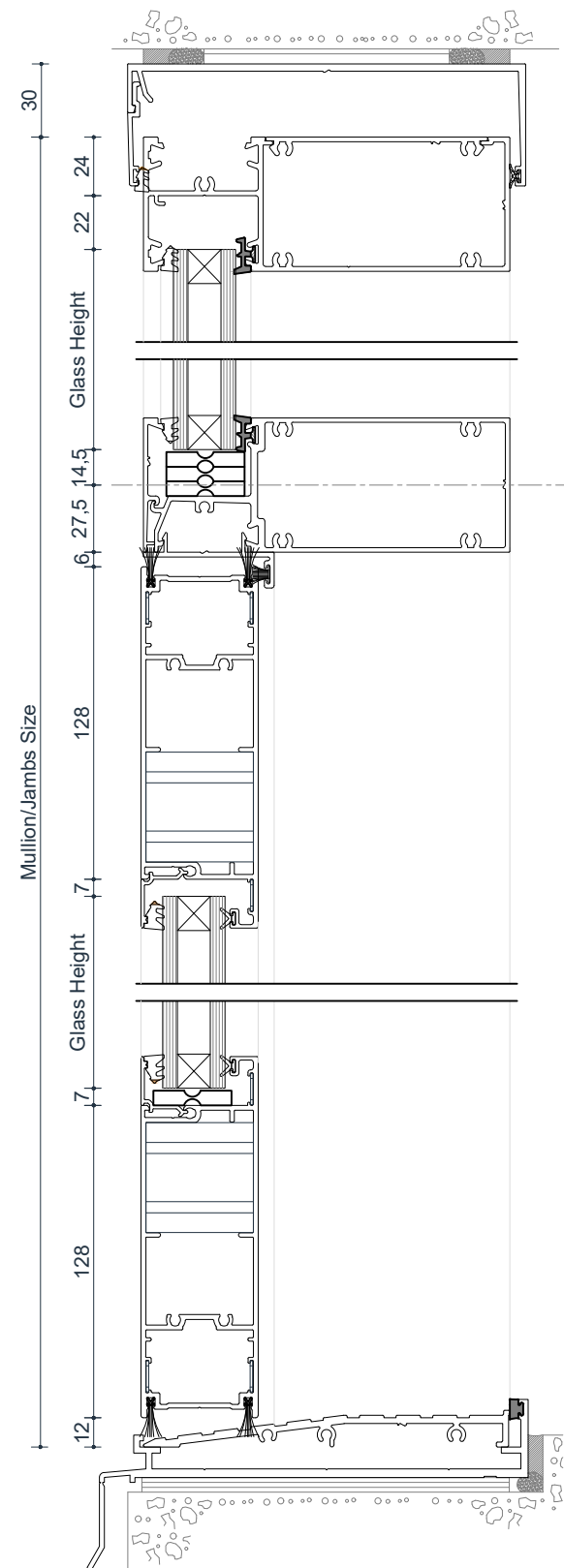
Section B  
Horizontal Section

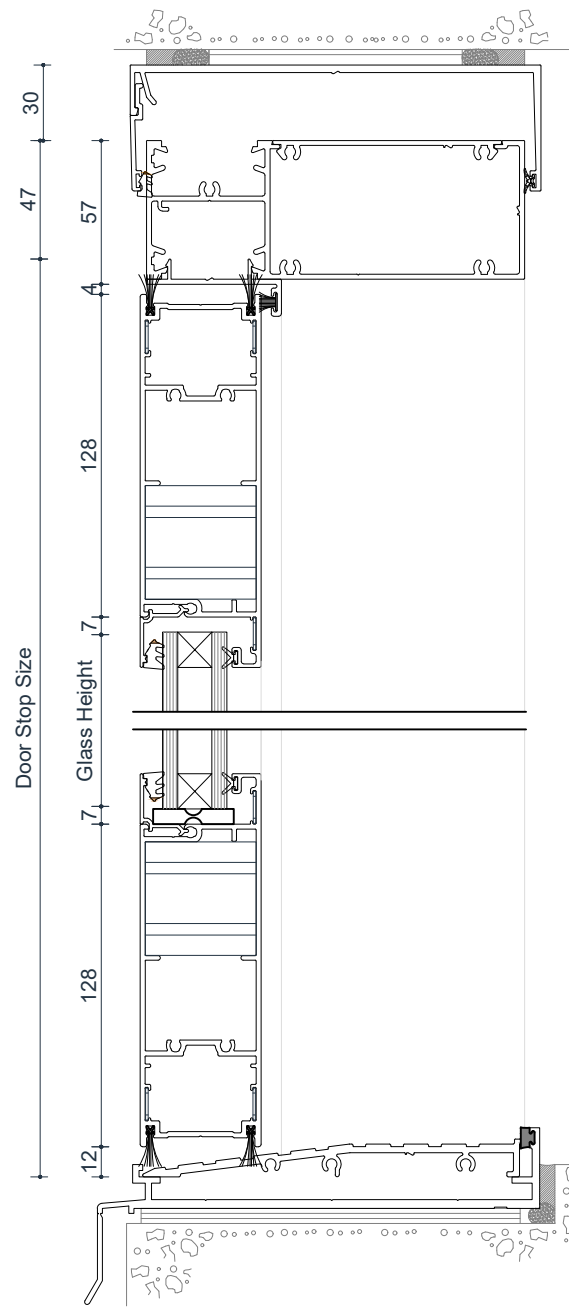


Section A  
Vertical Section

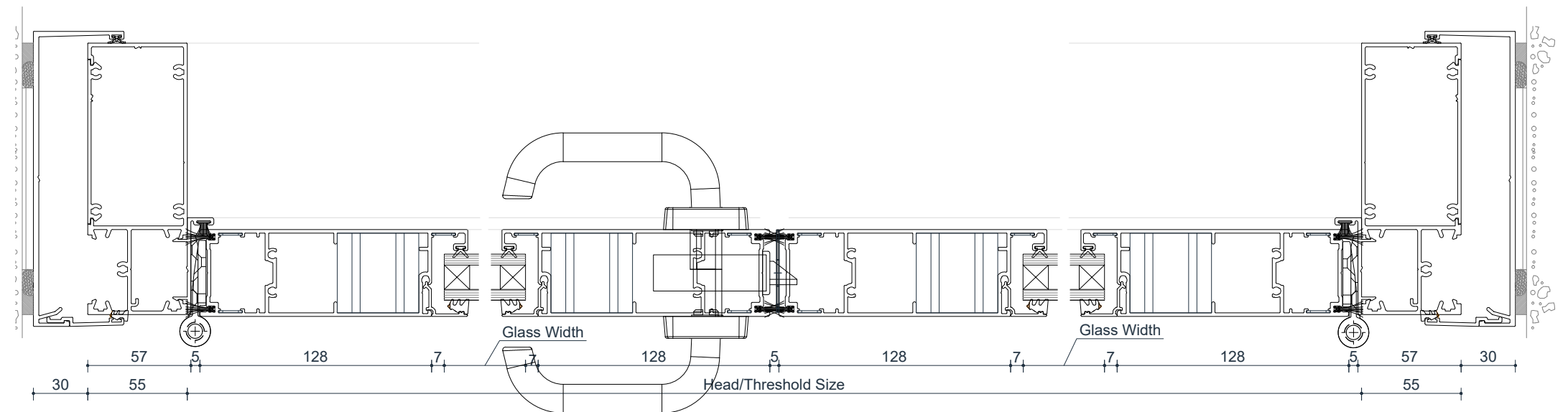
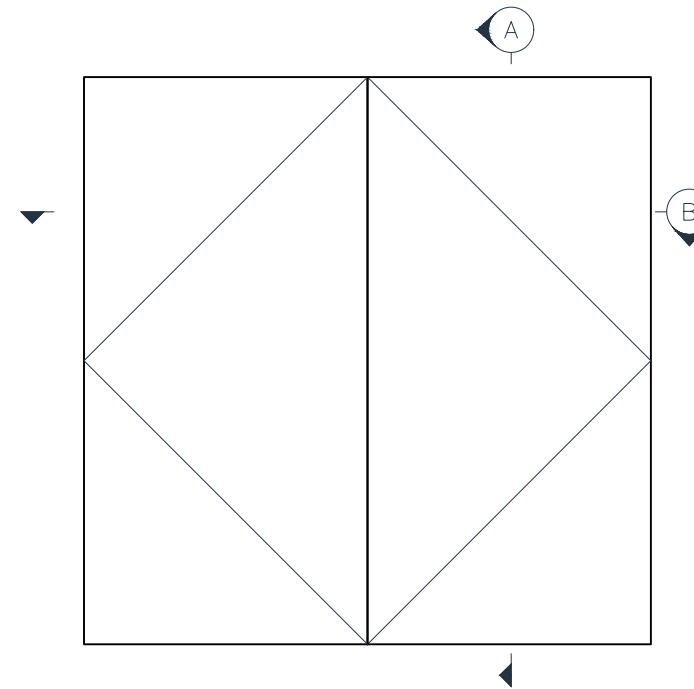


Section B  
Horizontal Section

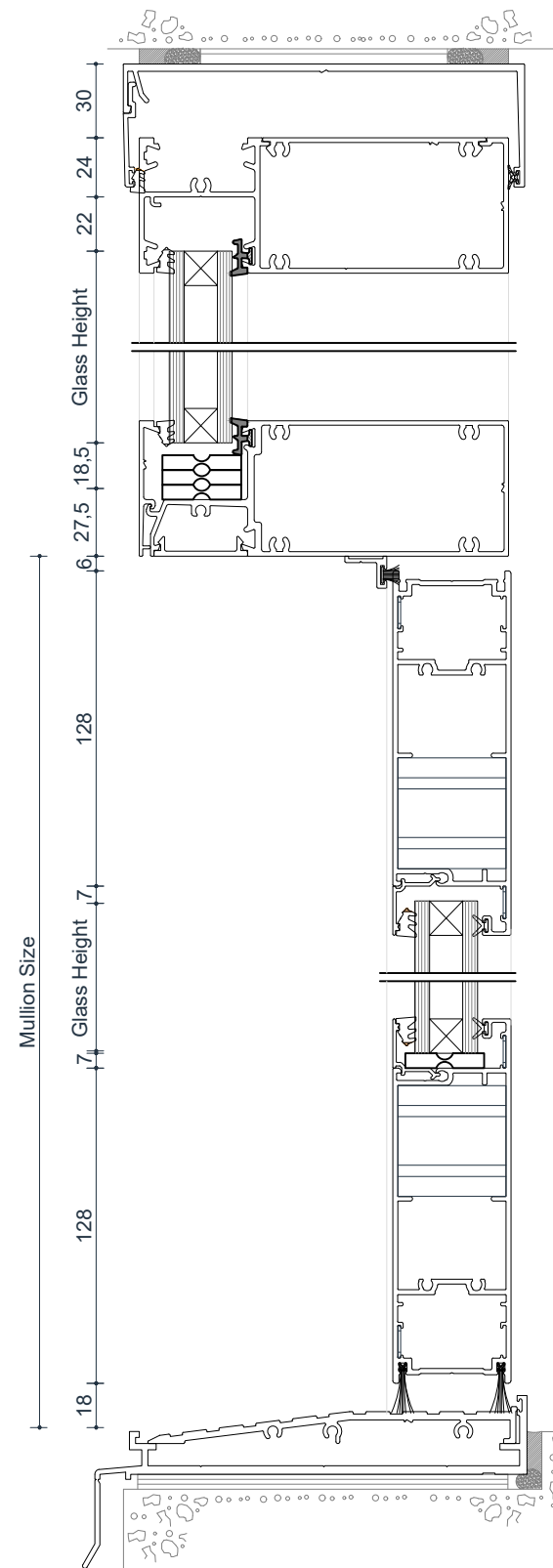




Section A  
Vertical Section

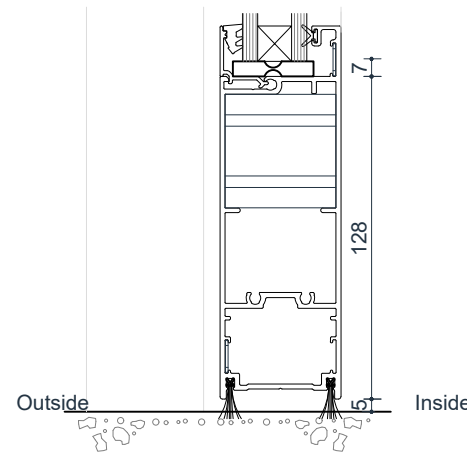


Section B  
Horizontal Section

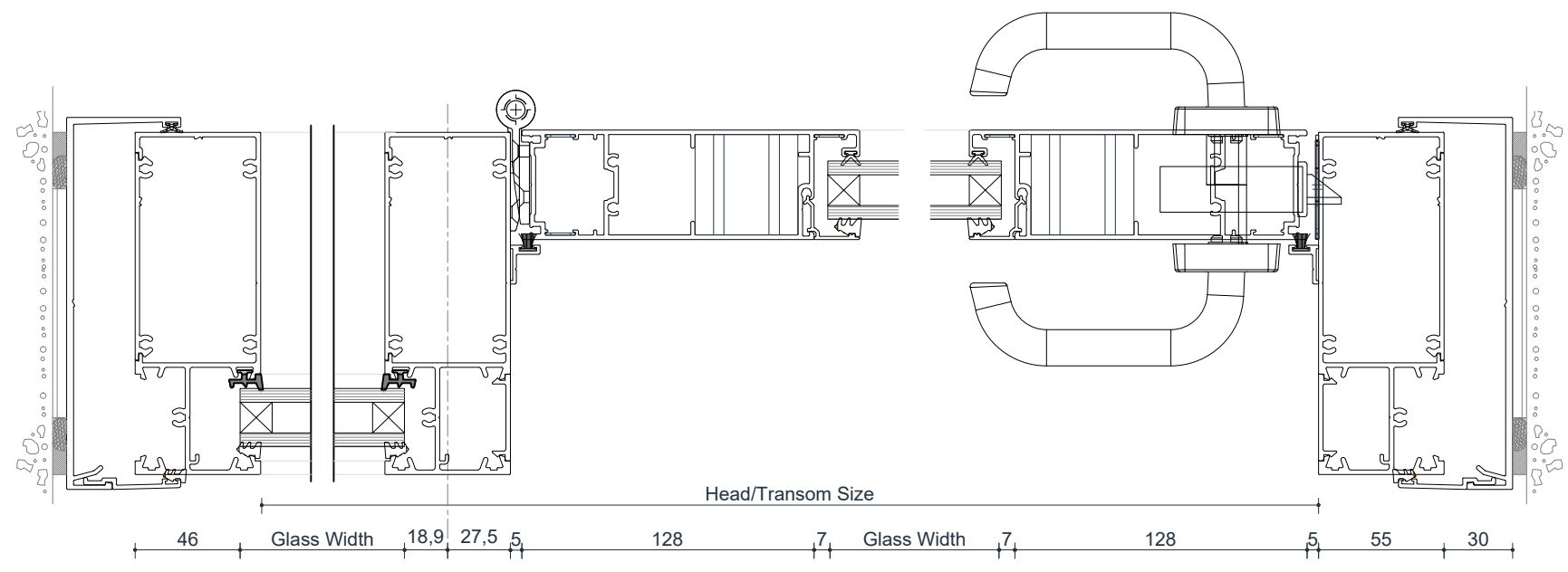
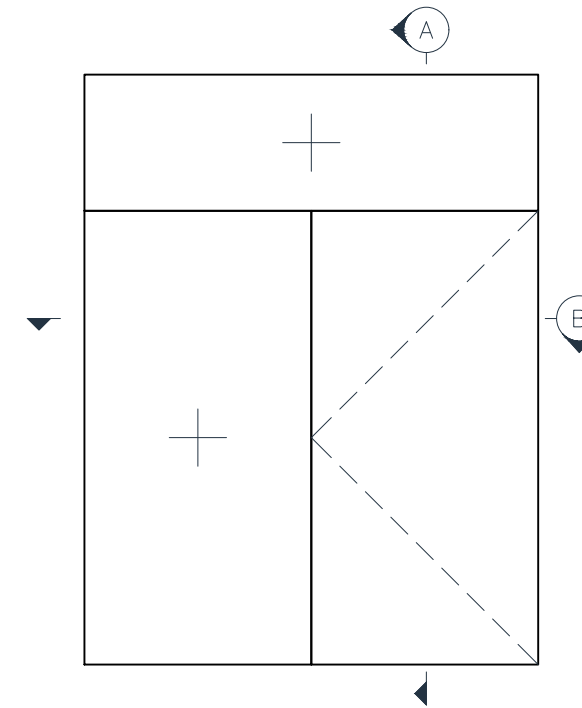


Section A  
Vertical Section

\*For sheltered locations only where weather proofing is not required.



Section A  
Vertical Section



Section B  
Horizontal Section

