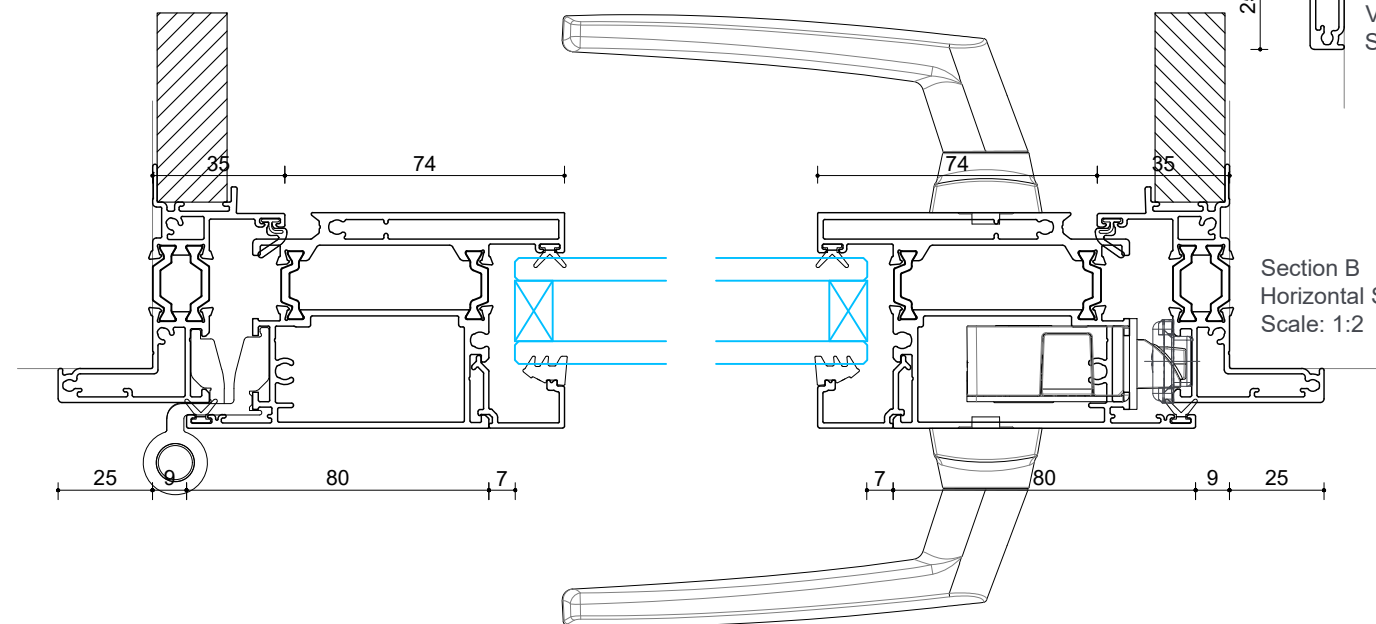
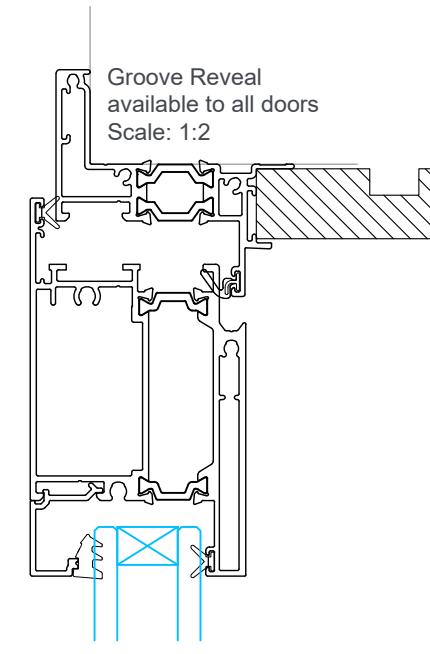


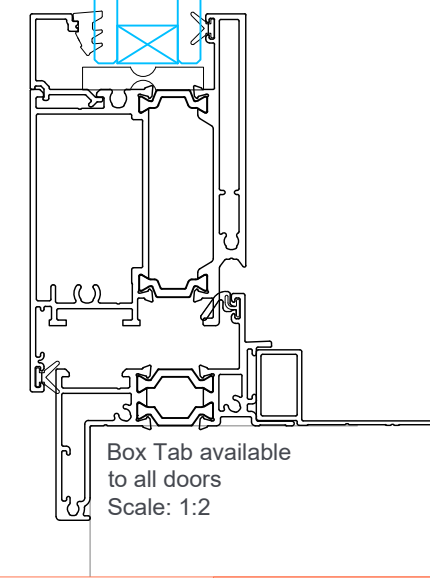
Section A  
Vertical Section  
Scale: 1:2



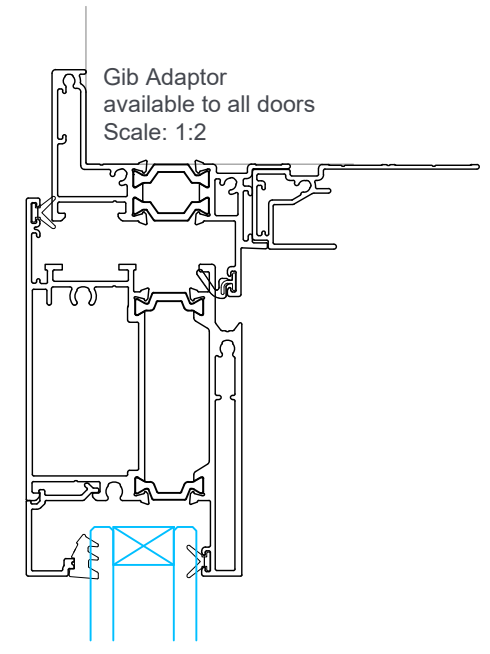
Section B  
Horizontal Section  
Scale: 1:2



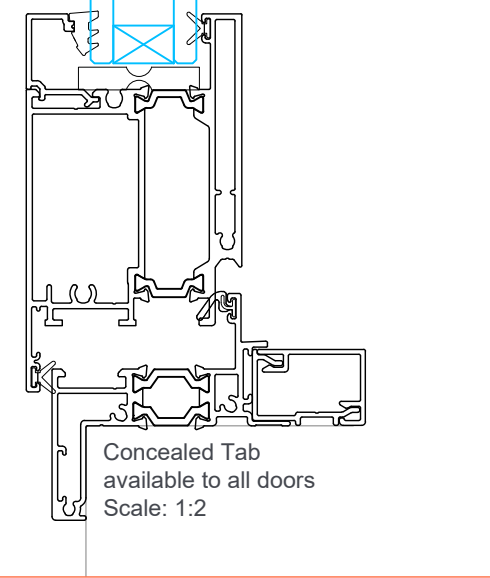
Groove Reveal  
available to all doors  
Scale: 1:2



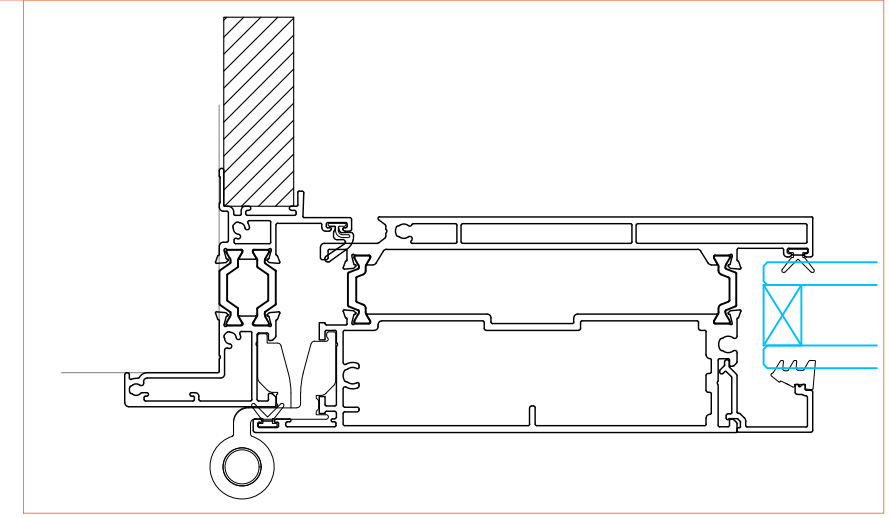
Box Tab available  
to all doors  
Scale: 1:2

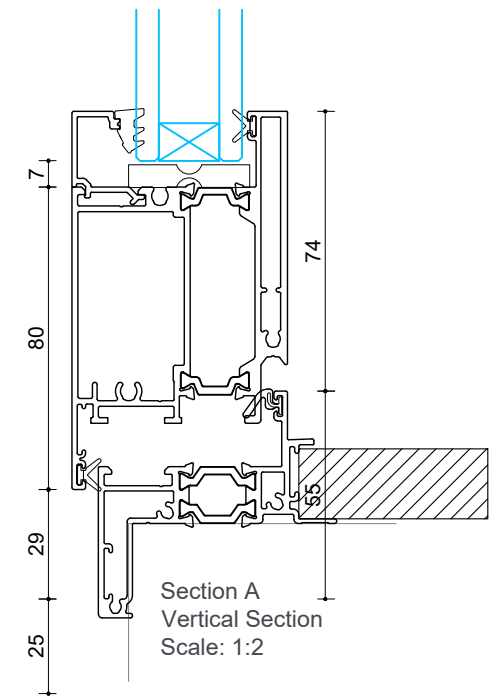
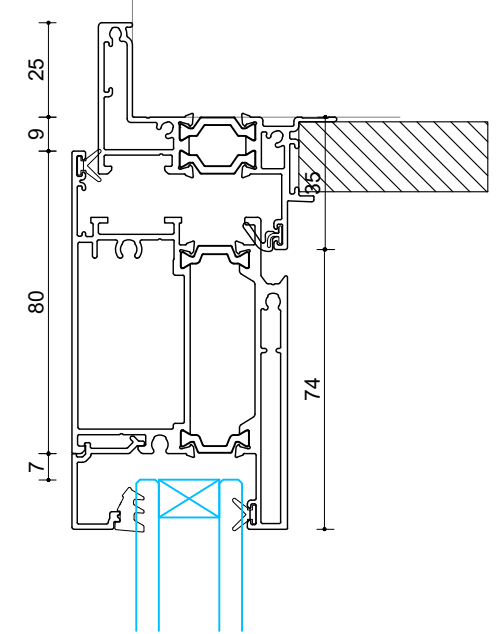
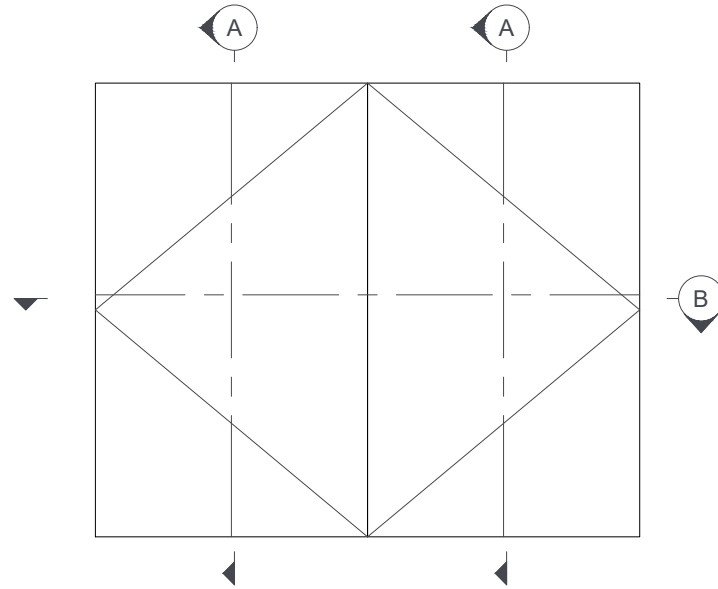


Gib Adaptor  
available to all doors  
Scale: 1:2

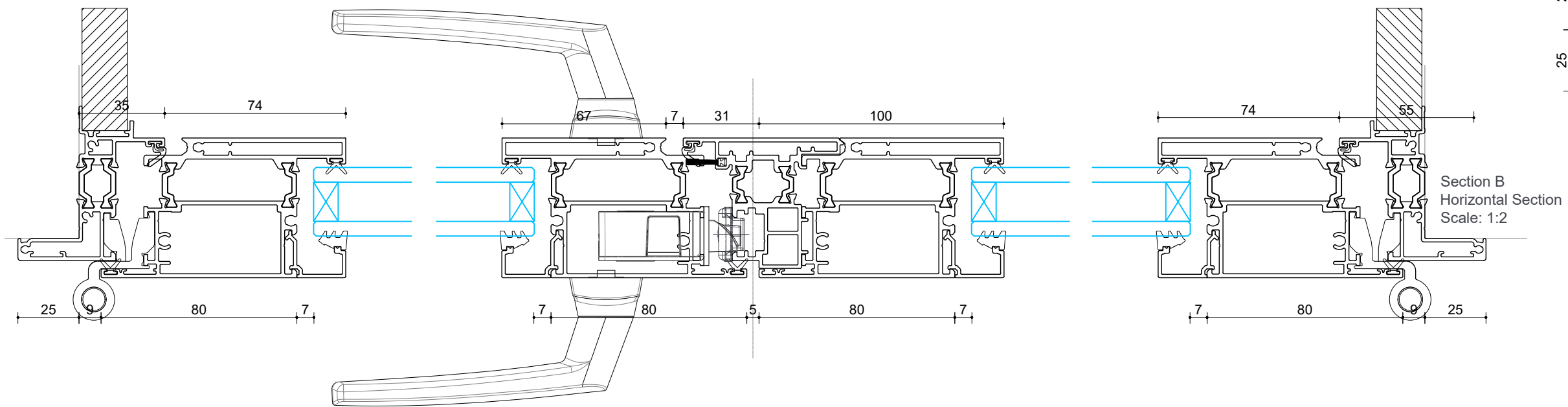


Concealed Tab  
available to all doors  
Scale: 1:2





Section A  
Vertical Section  
Scale: 1:2



Section B  
Horizontal Section  
Scale: 1:2

